

Style 3215 - **AVENGER** 9 oz Insulated Parka

Trim Featuring 3M™ Scotchlite™ Reflective Material

SHELL:

- 9 oz. - 88% FR Cotton, 12% high tenacity nylon
- Engineered for flame resistance and guaranteed for the life of the garment
- Lowered X striping on back to allow more room for company logo or hooded undergarment**
- Avenger fabric meets the requirements of:
NFPA 2112, NFPA 70E, CGSB 155.20, CSA Z462, ASTM F1506, OSHA 1910.269

INSULATION:

- 7 oz. Modacrylic insulation (flame resistant)
- Wind / vapour barrier

LINING:

- 7 oz. Flame Resistant 100% Cotton

POCKETS:

- Flame Resistant fleece lined hand pockets



STOCK COLOURS:

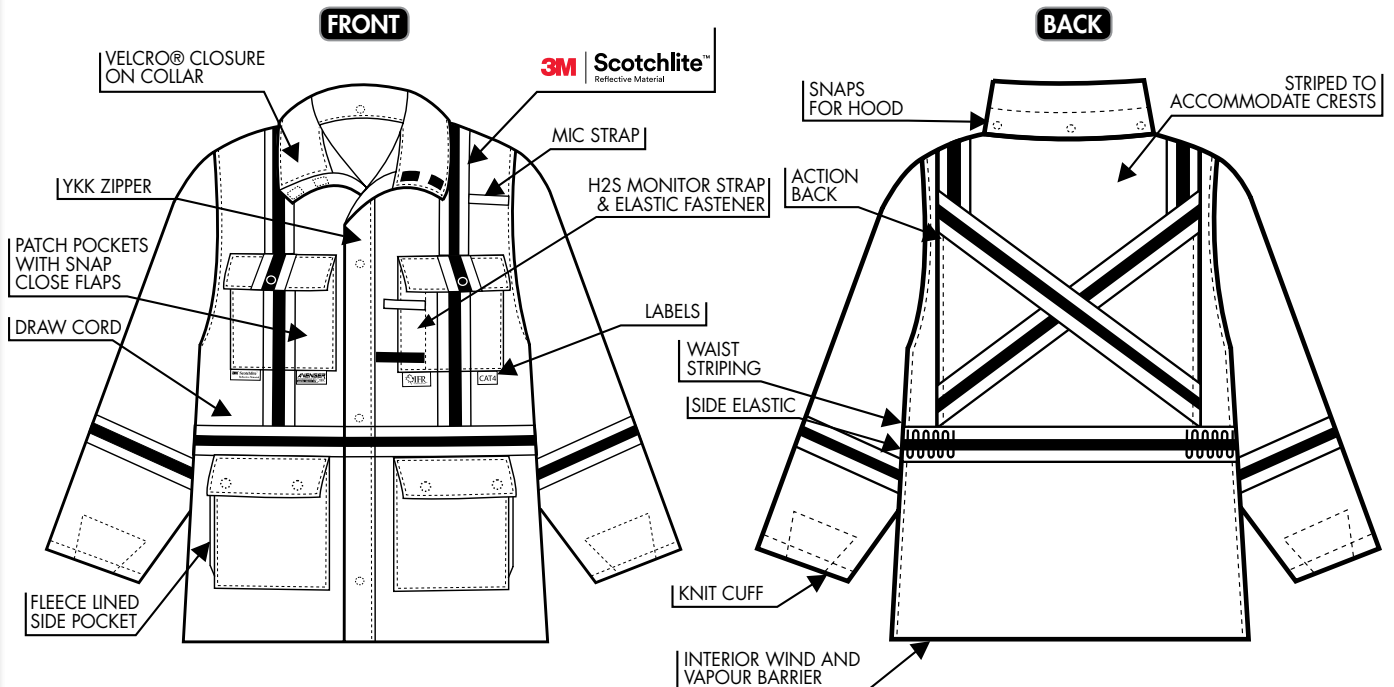


STOCK SIZES:

S	M	L	XL	2XL	3XL
-	-	LT	XLT	2XLT	3XLT

**Hood provision is added to the new CSA Z96-15 Standard.

NEW!
COMING FALL
2019



3M™ and Scotchlite™ are trademarks of 3M™ used under license by IFR Workwear Inc. in Canada.

THE TRUSTED LEADER IN QUALITY FLAME AND ARC RESISTANT WORKWEAR

www.ifrworkwear.ca | 403-347-5480 | info@ifrworkwear.ca

Style 3225 - AVENGER 9 oz Insulated Bib Pants

Trim Featuring 3M™ Scotchlite™ Reflective Material

SHELL:

- 9 oz. - 88% FR Cotton, 12% high tenacity nylon
- Engineered for flame resistance and guaranteed for the life of the garment
- Avenger fabric meets the requirements of:
NFPA 2112, NFPA 70E, CGSB 155.20, CSA Z462, ASTM F1506, OSHA 1910.269

INSULATION:

- 7 oz. Modacrylic insulation (flame resistant)
- Wind / vapour barrier

LINING:

- 7 oz. Flame Resistant 100% Cotton



STOCK COLOURS:



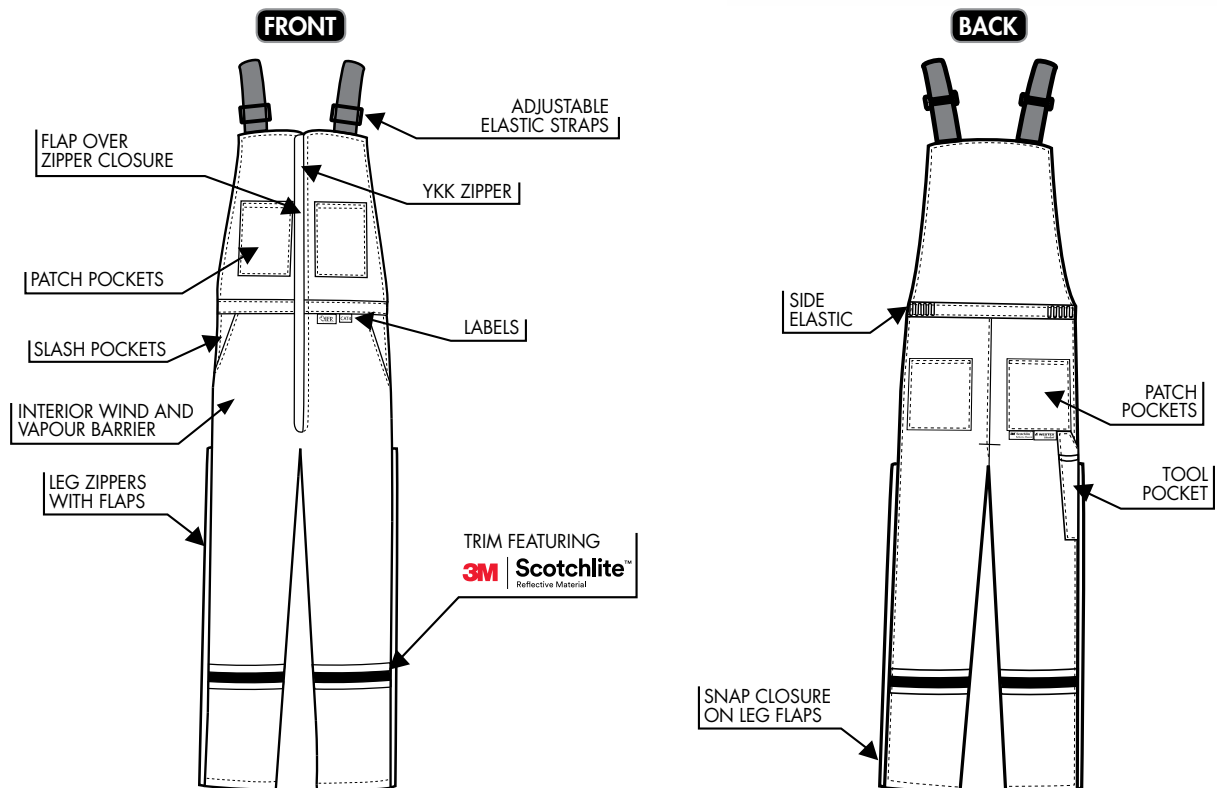
STOCK SIZES:

S	M	L	XL	2XL	3XL
-	-	LT	XLT	2XLT	3XLT

NEW!
COMING FALL
2019



AVENGER Winterwear



3M™ and Scotchlite™ are trademarks of 3M™ used under license by IFR Workwear Inc. in Canada.

THE TRUSTED LEADER IN QUALITY FLAME AND ARC RESISTANT WORKWEAR

www.ifrworkwear.ca | 403-347-5480 | info@ifrworkwear.ca