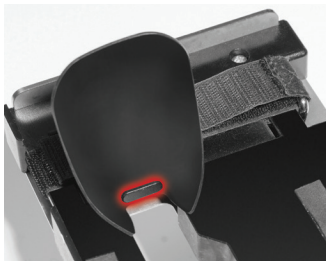
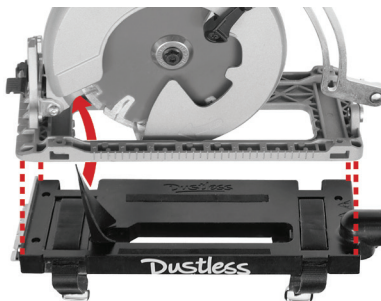


## INSTALLATION:

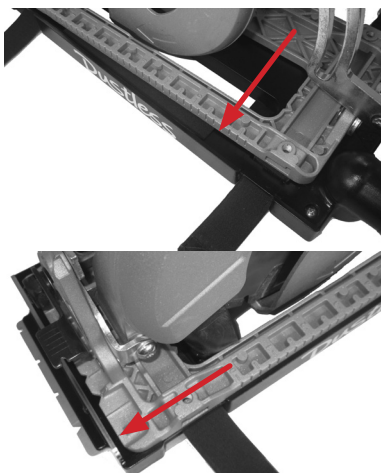
1. Attach the front rubber dust shield to the tab in the front of the blade opening.



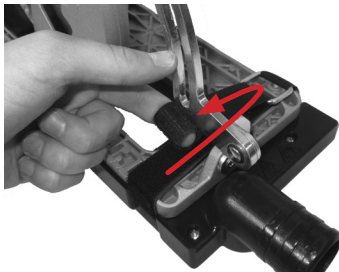
2. UNPLUG saw. Open the two hook-and-loop cinch straps and, with the saw at minimum cutting depth, place the saw on top of the shroud. The front rubber dust shield should fit inside the upper blade guard of the saw.



3. Position the saw flush against both the left and front walls of the shroud.

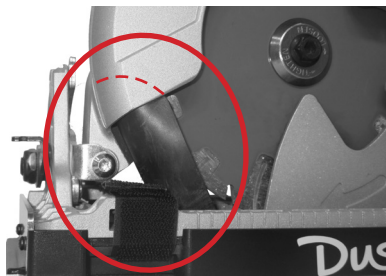


4. Firmly fasten both cinching straps around the shoe plate of the saw. Keep the buckle anchored to the edge of the shoe plate, as shown.



5. Ensure the front rubber dust shield is properly positioned within both the upper blade guard of the saw and the blade opening in the shroud. The shield should form a "C" channel in front of the blade.

The blade should NOT contact the rubber shield or any part of the shroud.



6. Hose cuff provided fits standard 1.5" vacuum hoses. Attach directly to the outside of the shroud's hose port.

A vacuum rated for 120 CFM or greater is recommended, such as our Dustless HEPA Wet+Dry Vacuum.

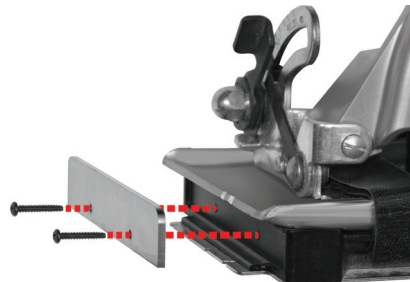
The releasable tie can be used to fasten the vacuum hose to the cord of the saw for added convenience.

### WARNING:

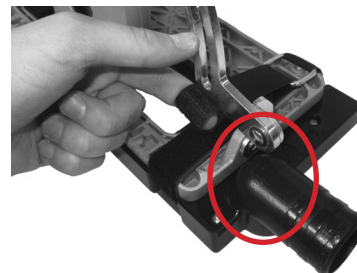
This shroud is not intended for use for bevel cuts. Always use eye and ear protection when working with power tools.

## INSTALLATION TROUBLESHOOTING:

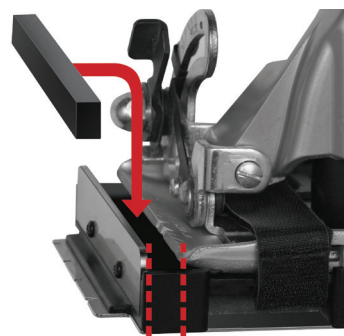
- A. If the shoe plate is too long to fit atop the shroud, remove the metal plate on the front of the shroud by removing two screws.



Position the saw as far back on the shroud as it will sit. Use the included zip tie to fasten the saw's depth guide arm to the hose port of the shroud to restrict the saw from moving forward. Position the saw against the left wall and continue with step 4 of installation.



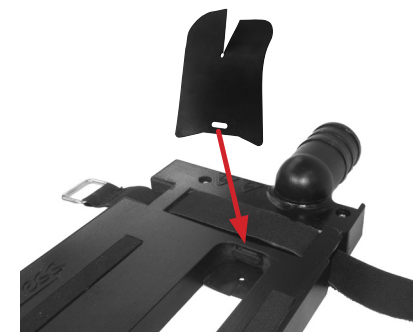
- B. If the shoe plate is too short and causes blade interference, simply insert the provided spacer between the front metal plate and the saw. Peel away paper backing from adhesive to join to shroud body.



Confirm that the blade is not making contact with the rubber shield or any other part of the shroud.

## OPTIONAL:

Some materials may produce larger particles when cut that will follow the blade to, and be ejected from the back opening of the blade guard. To collect this debris, attach the optional collection shield to the rear shield mount at the back of the blade opening in the shroud just as the primary dust shield is attached to the front.



Continue with basic installation.

Finally, position and form the rear shield around the outer edge of the saw's upper blade guard so that it catches dust that is ejected from the guard.



Replacement parts for this shroud can be ordered from **Dustless Technologies** with part number **D4001**.

1" incremented  
cut guide

6 non-marking  
wheels built in

Dustless  
TECHNOLOGIES

# DustBuddie®

Dust collection for 7-1/4" Worm Drive Circular Saws

Captures 99%  
of Concrete Dust

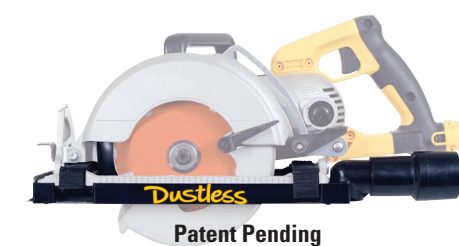
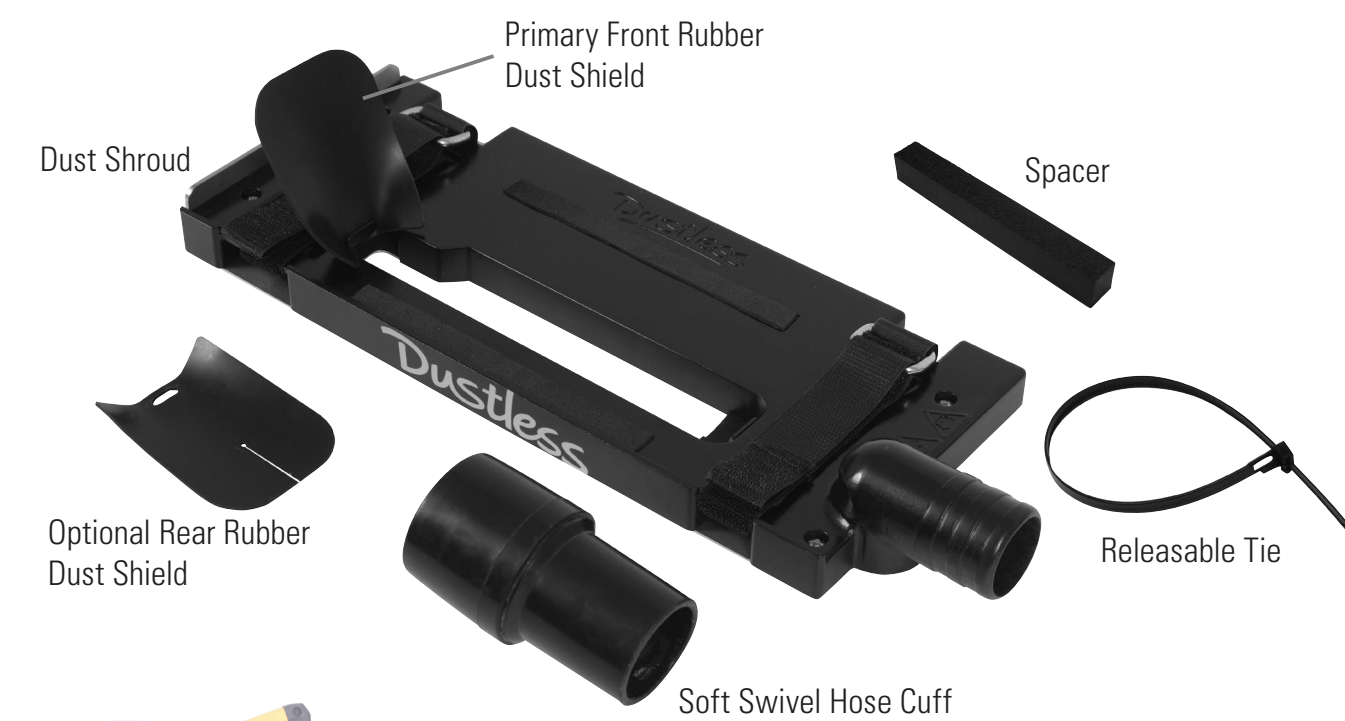
Works great on

Concrete • Cement board • Fiberglass • Stone products



A vacuum rated for 120 CFM or greater is recommended,  
such as our Dustless HEPA Wet+Dry Vacuum.

## Includes:



Find more dust control solutions at:  
[www.DustlessTools.com](http://www.DustlessTools.com)

DustBuddie for 7-1/4" Worm Drive Saws  
D4000



**WARNING:** This product contains one or more chemicals known to the state of California to cause cancer, birth defects, or other reproductive harm.

Dustless  
TECHNOLOGIES

# DustBuddie®

for 7-1/4" Worm Drive Circular Saws

- Point-of-origin dust collection keeps the workplace safe and clean
- No tools required for easy installation
- Allows clear line of sight to blade
- Non-marking wheels glide over the work surface



Dustless  
TECHNOLOGIES  
**DustBuddie®**  
Dust collection for 7-1/4"  
Worm Drive Circular Saws

Dustless  
TECHNOLOGIES

# DustBuddie®

Dust collection for 7-1/4"  
Worm Drive Circular Saws

