



# airwash<sup>®</sup>

Industrial and Commercial

**HEPA AIR SCRUBBING SYSTEMS**

25 Years  
*of cleaning the air you breathe*

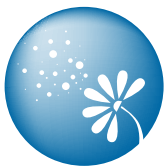
# THE AMAIRCARE® BRAND OF HEPA CLEAN AIR PRODUCTS

Launched in 1994, the Amaircare® brand of HEPA Clean Air Products has provided the highest performance air filtration for residential and commercial use for 25 years. Amaircare®'s portable, installed and commercial HEPA air filtration products and replacement components are designed and manufactured at our family owned and operated, vertically integrated facility in Mississauga, Ontario, Canada.

Our complete line of HEPA air filtration products and parts are distributed internationally through a carefully chosen network of qualified distributors and dealers. All of our products are designed and produced to meet strict standards of efficient pollution removal, safety and quality demanded by the air filtration industry, government regulation and our customers.

airwash®

## POLLUTION can be categorized in three ways: PARTICULATE, VOLATILE ORGANIC COMPOUNDS (VOCs) and BIOLOGICALS.



### PARTICULATE

The most harmful particles are so small you can't even see them.

These are known as Microfine Particulate and can penetrate and lodge deep in the respiratory system. Accumulation in the body of these particles over time can lead to great discomfort and eventually illness.



### VOCs (VOLATILE ORGANIC COMPOUNDS)

VOCs consist of chemicals in the gas phase. These gases are released from many items in the home,

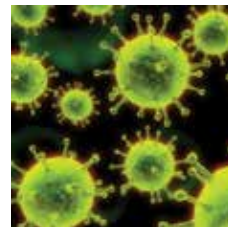
including, but not limited to: cleaning products, furniture and carpets, paint and plastics. When these chemicals have the chance to react with each other new compounds can form.



### BIOLOGICALS

Living organisms like bacteria and viruses are very small, but can be debilitating when they

cause illness. Molds and fungus can also wreak havoc when inhaled into the human body.



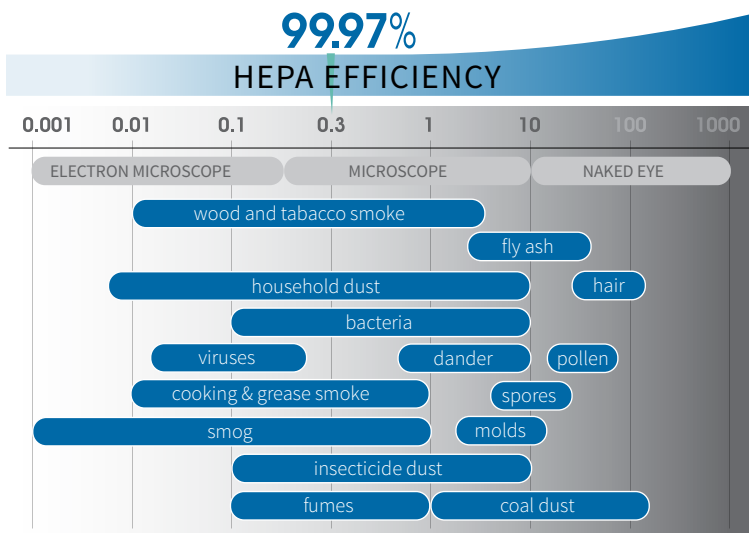
### What is HEPA?

HEPA (**H**igh **E**fficiency **P**articulate **A**rrestance) is a filtration standard created by the U.S. Atomic Energy Commission. To qualify as a HEPA filter, a media must be 99.97% efficient at removing particles 0.3 microns in size. Due to the extremely high efficiency, HEPA filters have become widely used in medical, electronic and industrial applications. HEPA filters are composed of various sized borosilicate fibers, which are pressed together to form a net-like structure with openings large enough for air to pass through, but too small for most particulates.

Why is removing particles 0.3 micron important?

Approximately 85% of easily measurable particulate pollution in the air is 0.3 micron in size. Larger particles, such as; 0.5 and 1.0 make up a much smaller percentage of air pollution. Not only is the abundance of 0.3 micron particles a concern, but the small size allows these particles to travel deep into the lungs, penetrate the lung tissue and even enter the blood stream to cause discomfort, conditions and serious illness.

Removing 99.97% of the particles that pass through the Amaircare® HEPA filter will create an air quality oasis and reduce the stress air pollutions places on the respiratory system and body.



It is known that AIR POLLUTION is a hazard, but how that affects each individual can remain unclear.

The chart on the left provides a visual illustration of the sizing of some particulate substances.

A visual grasp of the size of pollution particles plays an important role in understanding the benefit of HEPA removal at 0.3 micron.

Amaircare® HEPA Systems are so efficient that laboratory testing revealed removal of 95% of particles at 0.1 micron!

## What sets Amaircare® HEPA apart from the competition?

### HEPA Focused Manufacturing

Amaircare® manufactures only mechanical HEPA filters. The technology is simple and proven. Many other methods of cleaning provide poor performance and quickly become obsolete. Amaircare® sticks with technology that works!

### Perfect Seal™

Simply using HEPA media in an air filter doesn't make it a HEPA filter. If the HEPA media is not sealed properly, tiny harmful particles can sneak through. Americair manufactures its own Amaircare® brand of HEPA filters. The filter media comes off a roll and is pleated for optimum surface area. After the pleating process, the filters are enclosed in protective screens and cast in food-grade compound at both ends for a 100% air-proof seal. Each filter is then tested with a laser particle counter for 99.97% efficiency.

Amaircare® filters maintain HEPA efficiency during operation in Amaircare® Air Filtration Systems because a Perfect Seal™ design is used to lock the filter within the system. All dirty air is forced through the filter and only clean air is released back into the room.

### VOC Removal Options & the Stages of Filtration

A very important element of Amaircare®'s filtering system is the carbon stage of filtration. The carbon blanket adsorbs Volatile Organic Compounds or organic chemical compounds in the gaseous phase. This category of pollution is a growing concern. More and more substances in our environments release harmful VOCs that cause people to experience chemical sensitivity. Amaircare® offers a third stage carbon blanket or an upgrade carbon VOC canister for extra VOC capture.

The order of filter stages is extremely important too. Amaircare® systems place the carbon last to ensure VOC adsorption is maximized.

### Modular Filters

Each stage of filtration inside Amaircare® systems can be replaced independently of the other stages to provide maximum performance and value from each filter.

### Construction & Finishing

Many air filters and purifiers available today are made from plastic and contain adhesives or finishes that release VOCs. Amaircare® systems are constructed out of steel, powder coated and contain no harmful adhesives to ensure that the systems only subtract indoor air pollution and don't add to it. The all steel construction also makes the systems durable for many years of reliable clean air.

### Case by Case Approach

You are unique and so is your environment. Amaircare® believes in providing air cleaning solutions designed for your needs rather than the "one-size-fits-all" approach.

### Years of Research & Expertise

Amaircare® has built air filtration systems for 25 years. Over this time, a lot of testing and information has been gathered and put to use in continually improving Amaircare® product to respond to current and future quality requirements.

### Air Quality Terminology

- **HEPA:** High Efficiency Particulate Arrestance
- **CFM:** Cubic Feet per Minute
- **ACH:** Air Changes per Hour
- **VOCs:** Volatile Organic Compounds

### How to properly size HEPA...

In order to clean the air in a space properly, the correct capacity air filtration system must be determined.

A formula to calculate the number of Air Changes per Hour (ACH) is used. For average conditions and an average environment, at least one ACH is required; however, more air changes will provide even cleaner air. In certain cases, many air changes may be necessary.

### Sizing Formula

**CFM** (of the HEPA system)  
 × **60** (minutes in an hour)  
 ÷ **Volume** of the Room (in cubic feet\*) = # of **ACH**

\*Cubic Feet of a Room = Square Footage x Ceiling Height

# AIRWASH® INDUSTRIAL SOLUTIONS

## HEPA Air Filtration Systems

### AIRWASH® IS5000 AIR FILTRATION SYSTEM



Available finish:



Meteorite: 19-A-1KME-00

The Airwash® IS5000 is a high-powered, high-quality HEPA Air purification unit that includes: Recommended for up to 15000Sq.Ft with 2000CFM. Fully customizable unit to suit a wide array of applications. Quad-HEPA air filtration system that will hold up to 28lbs of carbon along with HEPA filter for effective VOC removal. Installed unit filtering high volume square footage. Covered by a 5-year warranty.

**Annual Filter Kit:** Item: 93-A-16ST00-ET  
**Plus Annual Filter Kit:** Item: 93-A-16PL00-ET  
**Replacement Ultra VOC Canister:** Item: 94-A-1602-UL  
 - or -  
**Replacement HEPA Filter:** Item: 90-A-16ME-ET  
 \*requires four.

#### SPECIFICATIONS

Maximum Recommended Area Size: 15000 ft<sup>2</sup>  
 Airflow: 2000 CFM  
 Power Consumption: 5.3 amp  
 Dimensions: 33.1"L x 32.2"W x 42"H  
 Weight: 165 lbs.  
 Variable Speed Switch Control  
 Construction: 18 gauge steel housing, durable powder coated finish  
 Intake: 12"  
 Outflow: 12"

### AIRWASH® IS5500 AIR FILTRATION SYSTEM



Available finish:



Meteorite: 22-A-1KME-00

The Airwash® IS5500 is a high-powered, high-quality HEPA Air purification unit that effectively cleans the air in large commercial spaces, recommended for up to 18750Sq.Ft with 2500CFM. Fully customizable unit to suit a wide array of applications including clean room classifications. Quad-HEPA air filtration system that will hold up to 28lbs of carbon along with HEPA filter for effective VOC removal. Easy access to filters for quick maintenance. Installed unit filtering high volume square footage. Covered by a 5-year warranty.

**Annual Filter Kit:** Item: 93-A-16ST00-ET  
**Plus Annual Filter Kit:** Item: 93-A-16PL00-ET  
**Replacement Ultra VOC Canister:** Item: 94-A-1602-UL  
 - or -  
**Replacement HEPA Filter:** Item: 90-A-16ME-ET  
 \*requires four.

#### SPECIFICATIONS

Maximum Recommended Area Size: 18750 ft<sup>2</sup>  
 Airflow: 2500 CFM  
 Power Consumption: 5.7 amp  
 Dimensions: 33.1"L x 32.2"W x 42"H  
 Weight: 166 lbs.  
 Variable Speed Switch Control with GFCI  
 Construction: Baked Thermoset Powder Finish, 18 gauge steel housing  
 Intake: 12"  
 Outflow: 12"

### AIRWASH® CS5000 AIR FILTRATION SYSTEM



Available finish:



Meteorite: 27-A-50ME-00

The Airwash® CS5000 is a high-powered, high-quality HEPA Air purification unit that is recommended for up to 37500Sq.Ft with 5000CFM. Fully customizable unit to suit a wide array of applications. Octo-HEPA air filtration system with excellent applications for Clean Rooms and Odor/Chemical control. Easy access to filters for quick maintenance. Installed unit filtering high volume square footage. Covered by a 5-year warranty.

**Annual Filter Kit:** Item: 93-A-16ST00-ET  
**Plus Annual Filter Kit:** Item: 93-A-16PL00-ET  
**Replacement Ultra VOC Canister:** Item: 94-A-1602-UL  
 - or -  
**Replacement HEPA Filter:** Item: 90-A-16ME-ET  
 \*requires eight.

#### SPECIFICATIONS

Maximum Recommended Area Size: 37500 ft<sup>2</sup>  
 Airflow: 5000 CFM  
 Power Consumption: 7.2 amp  
 Dimensions: 64"W x 55"H x 66"L  
 Weight: 430 lbs.  
 Hardwired 3 Phase Powered  
 Construction: 18 gauge steel housing, durable powder coated finish  
 Intake: 18"  
 Outflow: 18"

# AIRWASH® SPECIAL USE PRODUCTS

## HEPA Air Filtration Systems

### VOC - CHEM REMOVAL AIR FILTRATION SYSTEM



Available finish:

White Gloss:  
Ultra VOC: 10-A-1KWG-07  
HEPA: 10-A-1KWG-06

Have a special application that requires extreme VOC removal? This portable system comes standard with washable Foam Prefilter and Ultra VOC Canister (contains 30 lbs. of granulated carbon). 6”D intake allows for targeted clean up. Bottom clean air outflow on four of six sides. Easily adjust airflow with the variable speed control. Move system around smoothly on bottom mounted casters. Filter service is trouble-free though system lid access. Available with HEPA Cartridge upon request.

**Annual Filter Kit:** Item: 93-A-16ST00-ET  
**Plus Annual Filter Kit:** Item: 93-A-16PL00-ET  
**Replacement Ultra VOC Canister:** Item: 94-A-1602-UL  
 - or -  
**Replacement HEPA Filter:** Item: 90-A-16ME-ET

#### SPECIFICATIONS

Maximum Recommended Area Size:  
2250 ft<sup>2</sup> (8’ ceilings)  
 Airflow: 300 CFM  
 Power Consumption: 125 W  
 Dimensions: 16”HEX x 23”H  
 Weight: 55 lbs.  
 Variable Speed Switch Control  
 Construction: 24 gauge steel housing,  
 durable powder coated finish

### AIRWASH® MultiPRO AIR FILTRATION SYSTEM



Available finish:

Grey: 24-A-1KPG-00

The Airwash® MultiPRO is a high-quality HEPA Air purification “Air Scrubber” unit that possesses: Superior cylindrical HEPA filtration providing greater coverage with a larger surface area increasing longevity and resulting in fewer filter changes. Cylindrical filter allows for even particulate loading and performs to full capacity. Versatile, multi-functional 5-stage filtration system for diverse environments and a wide array of applications. Tool-Less access for speedy filter changes. Covered by a 5-year warranty.

**Replacement Media Pad Filter:** Item: 91-A-D919-NA  
 - and/or -  
**Replacement 2” MERV 8 Prefilter:** Item: 91-A-D020-NA  
**Replacement Prefilter:** Item: 91-A-1407-ET  
**Replacement HEPA Cartridge:** Item: 90-A-14ME-ET  
 - or -  
**Replacement ULTRA VOC Canister:** Item: 94-A-1402-UL  
**Replacement Carbon Blanket:** Item: 92-A-1401-ET  
 - or -  
**Replacement VOC Canister:** Item: 94-A-1402-ET

#### SPECIFICATIONS

Maximum Recommended Area Size:  
6000 ft<sup>2</sup> (8’ ceilings)  
 Airflow: 250 to 800 CFM  
 Power Consumption: 312 W  
 Dimensions: 19”W x 20”H x 32”L  
 Weight: 42 lbs. (with HEPA)  
 Variable Speed Switch Control with GFCI  
 Construction: Flame Retardant  
 Polyethylene  
 Intake: 12”  
 Outflow: 12”

### AIRWASH® MultiPRO BOSS AIR FILTRATION SYSTEM



Available finish:

Meteorite: 26-A-1KME-00

The Airwash® MultiPRO BOSS is a high-quality HEPA Air purification unit that boasts 1800-2000CFM providing greater coverage with a larger surface area. Double ‘stepped’ filtration system to maximize air flow. With 16”x16” filters to increase longevity, resulting in fewer filter changes. Bottom mounted durable casters for portability and versatility. Covered by a 5-year warranty.

**Replacement Mesh Prefilter:** Item: 91-A-DA06-NA  
 - or -  
**Replacement Media Pad Filter:** Item: 91-A-D919-NA  
**Replacement Prefilter\*:** Item: 91-A-1607-ET  
**Replacement HEPA Cartridge\*:** Item: 90-A-16ME-ET  
 - or -  
**Replacement ULTRA VOC Canister\*:** Item: 94-A-1602-UL  
**Replacement Carbon Blanket\*:** Item: 92-A-1601-ET  
 - or -  
**Replacement VOC Canister\*:** Item: 94-A-1602-ET

\*requires two.

#### SPECIFICATIONS

Maximum Recommended Area Size:  
14,000 ft<sup>2</sup>  
 Airflow: 2000 CFM (nominal on high)  
 Power Consumption: 5.2 amp  
 Dimensions: 19”W x 34.1”H x 31.1”L  
 Weight: 110 lbs.  
 dB Rating (estimated @ 6”): 66-86  
 Variable Speed Switch Control  
 Construction: 24 gauge steel housing,  
 durable powder coated finish  
 Intake: 12”  
 Outflow: 12”

# AIRWASH® CART PRODUCTS

## HEPA Air Filtration Systems

### 7500 AIRWASH® CART HEPA AIR FILTRATION SYSTEM



Dual HEPA cartridges provide 1000 CFM airflow. Steel tube cart and heavy duty tires allow for easy transportation even in rugged environments. Front swivel wheels make maneuvering simple. Refresh the air by importing and filtering exterior air through the extra intake (2"D - with cap closure). Filters are easy to access for maintenance. Safety mesh covers the air outflow. Comes with two 8"D collars for ducted installations. A removable IEC power cord is included. A third stage VOC canister upgrade is available. 30 lb. Carbon only canisters available for special applications.

Replacement HEPA Filter (Single)\*: Item: 90-A-16ME-ET  
 Annual Filter Kit (Single)\*: Item: 93-A-16ST00-ET  
 Plus Annual Filter Kit (Single)\*: Item: 93-A-16PL00-ET  
 VOC Ultra (Single)\*: Item: 94-A-1602-UL  
 Aluminum Mesh Prefilter (Single)\*: Item: 91-A-D606-NA  
 \*requires two.

#### SPECIFICATIONS

Maximum Recommended Area Size:  
7500 ft<sup>2</sup> (8' ceilings)

Airflow: 1000 CFM  
 Power Consumption: 320 W  
 Dimensions: 27"W x 40"L x 38"H  
 Weight: 118 lbs.  
 Variable Speed Switch Control  
 Construction: 18 gauge steel housing, durable powder coated finish  
 Intake: 10" x 12" with aluminum mesh prefilter x 2  
 Outflow: 8" Round x 2  
 Fresh air intake: 2" Round

### 6000V AIRWASH® CART HEPA AIR FILTRATION SYSTEM



Filter out air pollution created by a wide variety of applications: construction & renovation, fire & mold remediation, welding and print shops, among others. The steel tube cart and heavy duty tires allow for easy transportation even in rugged environments. Freshen up the air by importing and filtering exterior air through the extra intake (2" - with cap closure). Easy to access filter for maintenance. Protective steel mesh safely covers the air outflow. A removable IEC power cord is included. A third stage VOC canister upgrade is available. 30 lb. Carbon only canister available for special applications.

Replacement HEPA Filter: Item: 90-A-16ME-ET  
 Annual Filter Kit: Item: 93-A-16ST00-ET  
 Plus Annual Filter Kit: Item: 93-A-16PL00-ET  
 VOC Ultra: Item: 94-A-1602-UL  
 Aluminum Mesh Prefilter: Item: 91-A-D106-NA

#### SPECIFICATIONS

Maximum Recommended Area Size:  
4500 ft<sup>2</sup> (8' ceilings)

Airflow: 600 CFM  
 Power Consumption: 160 W  
 Dimensions: 27"W x 26"L x 38"H  
 Weight: 92 lbs.  
 Variable Speed Switch Control  
 Construction: 18 gauge steel housing, durable powder coated finish  
 Intake: 10" x 12" with aluminum mesh prefilter for easy pressure cleaning  
 Outflow: 8" Round  
 Fresh air intake: 2" Round

Don't let VOCs affect work efficiency, quality or the health and safety of the work environment. VOCs that off-gas from processes and materials in a work environment can be hazardous and costly. Upgrading the third stage carbon filter or replacing the second stage HEPA filter in an AIRWASH® System to a **CARBON VOC CANISTER** or **ULTRA VOC CANISTER** will provide enhanced protection from chemicals, gases and VOCs.



# AIRWASH® ELIMINATOR PRODUCTS

## HEPA Air Filtration Systems

### AIRWASH® ELIMINATOR S3X HEPA AIR FILTRATION SYSTEM



The Airwash® ES3X HEPA Air Filtration System, as a stand-alone, effectively cleans air in large spaces. Designed for various commercial applications, specializing in Mechanical Garage/Body Shop Applications, First Responder Vehicle Bays, Vape & Hookah Lounges. Designed and built to suspend to save valuable floor space and to draw air pollutants away from the dwelling area for capture.

Comes standard with third stage VOC canister upgrade. 30 lb. Carbon only canisters available for special applications.

Replacement HEPA Filter (Single)\*: Item: 90-A-16ME-ET  
 Plus Annual Filter Kit (Single)\*: Item: 93-A-16PL00-ET  
 VOC Ultra (Single)\*: Item: 94-A-1602-UL  
 \*requires three.

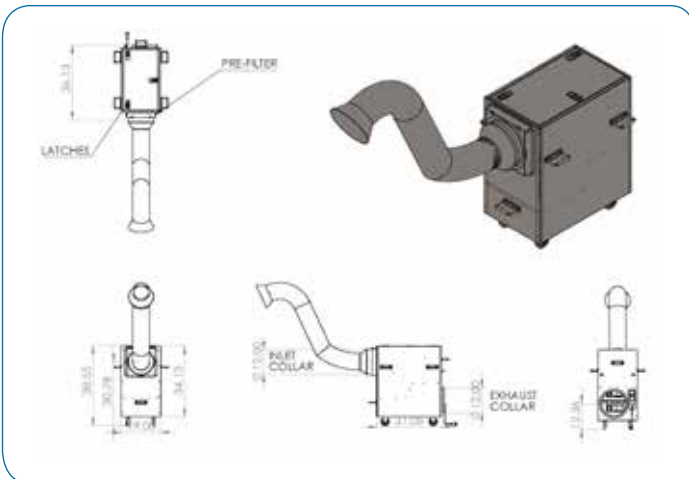
#### SPECIFICATIONS

Maximum Recommended Area Size:  
15,000 ft<sup>2</sup> (8' ceilings)

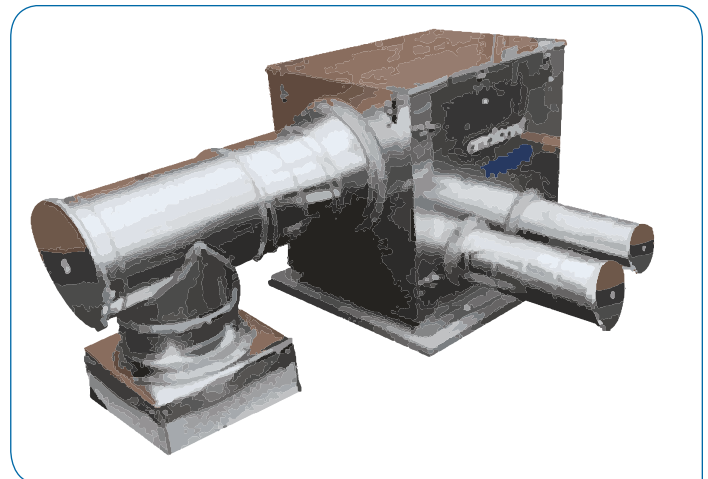
Airflow: 2000 CFM  
 Power Consumption: 7.8 amps  
 Dimensions: 17"W x 48"L x 28"H  
 Weight: 157 lbs.

Control: Recommended for use with wall mounted air quality sensor  
 Construction: 18 gauge steel housing, durable baked thermoset powder finish  
 Intake: 10" x 12" with aluminum mesh prefilter x 3  
 Outflow: 10" x 12" x 3

### ALL NEW SOLUTIONS AND APPLICATIONS FOR 2019



AIRWASH® AH2000, THE MOST POWERFUL AND EFFECTIVE FUME EXTRACTOR / SOURCE CAPTURE MACHINE, APPLICATIONS FOR; WELDING, LASER, PRINTING, WOODWORKING, STEEL FABRICATION, AND MORE.



THE AMAIRCARE® AIRWASH® RT-HX ... A COMPLETELY CUSTOMIZABLE UNIT TO SUIT THE REQUIREMENTS OF ANY IAQ APPLICATION. INQUIRE TODAY. (PATENT PENDING)

#### COMMON CONFIGURATION

1. Strong Particulate, Low VOC; prefilters, PerfectSeal™ HEPA, carbon blanket
2. Strong Particulate, Moderate VOC; prefilters, PerfectSeal™ HEPA, VOC canister insert
3. Low Particulate, Heavy VOC; prefilters, ULTRA VOC Canisters (no HEPA in this configuration)

#### RT-HX INFORMATION

This sample rendering of the entry level unit boasts Dual HEPA with 2000 CFM and easily pairs to your 5-ton HVAC unit. It will be popular for retro-fit and to be "specked in" with Mechanical Engineers and HVAC Engineers.

Amaircare's Airwash® RT-HX is completely expandable/customizable to pair with any rooftop HVAC system, any size of condenser unit; with its utilization of programmable EC Motors, optional control modules and various IAQ meters, this is truly HEPA Air Purification with NO size limitations.

The Airwash® RT-HX has already generated colossal interest with Cannabis Growers as an affordable solution to their Air Quality and Odor absorption demands. Treat your business and employees as you would your home and family.

# AIRWASH® INSTALLED PRODUCTS

## HEPA Air Filtration Systems

### AIRWASH® 7500 HEPA AIR FILTRATION SYSTEM



Need more CFM? Then this is the system! 1000 CFM provides 1 ACH for 7500 sq. ft.\* Installs easily with two 8" diameter outflow connections and one 14" diameter intake connection. Right and left side knock-outs provide versatility for installation. Unit modules can be combined to increase airflow ratings when required. End door removes for easy filter maintenance. Dual HEPA cartridge design allows for enhanced performance. A third stage VOC canister upgrade is available.

**Replacement HEPA Filter (Single)\*:** Item: 90-A-16ME-ET  
**Annual Filter Kit (Single)\*:** Item: 93-A-16ST00-ET  
**Plus Annual Filter Kit (Single)\*:** Item: 93-A-16PL00-ET  
**VOC Ultra (Single)\*:** Item: 94-A-1602-UL  
 \*\*requires two.

#### SPECIFICATIONS

Maximum Recommended Area Size: 7500 ft<sup>2</sup>  
 dB Rating (estimated @ 6"): 67  
 Airflow: 1000 CFM  
 Power Consumption: 320 W  
 Dimensions: 27"W x 38"L x 40"H  
 Weight: 82 lbs.  
 Variable Speed Switch Control  
 Construction: 18 gauge steel housing, Durable Powder Coated Finish  
 Intake: 14" D  
 Outflow: 2 or 4 8" D

### AIRWASH® 10 000 HEPA AIR FILTRATION SYSTEM



Large capacity model! 1000 CFM delivers 1 ACH to a 7500 sq. ft. area\*. The TriHEPA design provides ample collection of airborne particulate, biologicals and VOCs. Three individual filter modules employ 3 stage filtration and are easy to maintain through the removable end panel door. Set the function speed to suit any use with the variable speed control.

A third stage VOC canister upgrade is available. Unit modules can be combined to provide increased airflow ratings when required.

**Replacement HEPA Filter (Single)\*\*:** Item: 90-A-16ME-ET  
**Annual Filter Kit (Single)\*\*:** Item: 93-A-16ST00-ET  
**Plus Annual Filter Kit (Single)\*\*:** Item: 93-A-16PL00-ET  
 \*\*requires three.

#### SPECIFICATIONS

Maximum Recommended Room Size: 7500 ft<sup>2</sup>  
 Airflow: 1000 CFM  
 Power Consumption: 600 W  
 Dimensions: 17"W x 28"L x 50"H  
 Weight: 130 lbs.  
 dB Rating @ 6': 60 to 70  
 Variable Speed Switch Control  
 Construction: 18 gauge steel housing, durable powder coated finish  
 Intake/Outflow:  
 Rectangular Connections - 10" x 12"

### MORE FRESH AIR

Buildings require the introduction of fresh air, this is often achieved with an Air Handling System/Energy Recovery Ventilation System. The filters provided in Air Handling Systems don't protect you from the pollution brought in with the fresh air.

An Amaircare® HEPA Air Filtration System is the perfect compliment to an Air Handling System. Amaircare® Systems will ensure that the fresh air brought in is filtered for microfines, biologicals and VOCs.



# AIRWASH® INSTALLED PRODUCTS

## HEPA Air Filtration Systems

### AIRWASH®350 HEPA AIR FILTRATION SYSTEM



Available finish: ●

Meteorite: 13-A-1KME-00

This fully insulated installed HEPA Air Filtration System is whisper quiet and extremely efficient for particulate, bioburden and VOC removal. It easily delivers 1 ACH to a 2625 sq. ft. area\*. No hassle installation, this unit can be quickly installed to the return air duct of the air handling system. The AWW350 diverts a portion of the air from the return air (approx. 30%), cleans the air and introduces it back into circulation.

Installation Kit available. A third stage VOC canister upgrade is available.

**Replacement HEPA Filter:**  
**Annual Filter Kit:**  
**Plus Annual Filter Kit:**  
**VOC Ultra:**  
**Installation Kit (6/8):**

**Item: 90-A-16ME-ET**  
**Item: 93-A-16ST00-ET**  
**Item: 93-A-16PL00-ET**  
**Item: 94-A-1602-UL**  
**Item: 95-A-00NA-K1**

#### SPECIFICATIONS

Maximum Recommended Area Size: 2625 ft<sup>2</sup>  
 Filter Life: Prefilter - 1 year  
                   HEPA Filter - 3 to 5 years  
                   Inner Carbon - 6 months  
 Airflow: 350 CFM  
 Power Consumption: 125 W  
 Dimensions: 14.375"W x 14.375" L x 27"H  
 Weight: 33 lbs.  
 Toggle ON - OFF Control  
 Construction: 24 gauge steel housing, durable powder coated finish  
 Intake: 8" D  
 Outflow: 6" D

### AIRWASH®675 HEPA AIR FILTRATION SYSTEM



Available finish: ●

Meteorite: 14-A-1KME-00

This model services an area of just over 5050 sq. ft.\* providing 1 (one) ACH. Full cabinet insulation allows for operation that is quiet in a wide variety of climates. Installation to the air handling system is quick and simple. The by-pass design allows for a portion of air to be diverted from the return air duct, cleaned and entered back into the air circulation. This method efficiently captures air pollution without any risk to the function of the air handling system. The AWW675 can also be installed to run independently. Installation Kit available.

A third stage VOC canister upgrade is available.

**Replacement HEPA Filter:**  
**Annual Filter Kit:**  
**Plus Annual Filter Kit:**  
**VOC Ultra:**  
**Installation Kit (8-10):**

**Item: 90-A-16ME-ET**  
**Item: 93-A-16ST00-ET**  
**Item: 93-A-16PL00-ET**  
**Item: 94-A-1602-UL**  
**Item: 95-A-00NA-K2**

#### SPECIFICATIONS

Maximum Recommended Area Size: 5050 ft<sup>2</sup>  
 Filter Life: Prefilter - 1 year  
                   HEPA Filter - 3 to 5 years  
                   Inner Carbon - 6 months  
 Airflow: 675 CFM  
 Power Consumption: 225 W  
 Dimensions: 14.375"W x 14.375" L x 27"H  
 Weight: 36 lbs.  
 Toggle ON - OFF Control  
 Construction: 24 gauge steel housing, durable powder coated finish  
 Intake: 10" D  
 Outflow: 8" D

amaircare®

airwash®

AMERICAIR CORPORATION  
 770 Gana Court, Mississauga, ON, L5S 1P1  
 t: 905 565 9488 f: 905 565 9866  
 toll free: 800 268 7732  
 info@amaircare.com www.amaircare.com

# AIRWASH® CUSTOM SOLUTIONS SAMPLES

## HEPA and Carbon Air Filtration Systems



ES3X FIRST RESPONDERS UNIT



CONSTANT PRESSURE UNIT



QUAD HEPA HOSPITAL AIR EXCHANGE



ES3X INSTALL HOOKAH LOUNGE



CUSTOMISED AW675 FOR FACTORY USE



IS5500 PHARMA OPERATION CLEAN ROOM



IS5000 IN BRAKE PAD MANUFACTURING

# AIRWASH® CUSTOM SOLUTIONS SAMPLES

## HEPA and Carbon Air Filtration Systems



AIRWASH 10 000  
PETRO CHEMICAL FACILITY



QUAD HEPA  
PRINT LAB



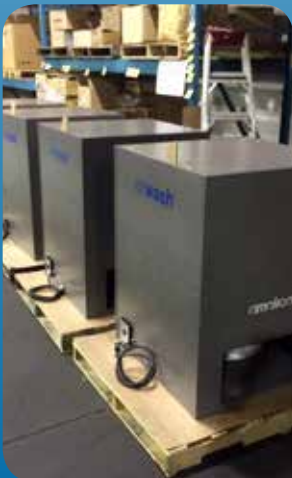
QUAD HEPA  
HOSPITAL AIR EXCHANGE



CUSTOM DOWN  
DRAFT TABLE



RT-HX UNITS  
CALIFORNIA HOSPITAL



IS5500 FOR UNIVERSITY  
HANDLING ROOM



MICRO CHIP TECHNOLOGY  
CLEAN ROOM FACILITY



**Poor IAQ can have a profound effect on your employees ability to work and concentrate.**

Clean air is essential in the workplace.

Clean air means fewer sick days.

Reduce odor sensitivity.

**Purification and recirculation is more efficient and easy with Airwash® by Amaircare®.**

[amaircare.com](http://amaircare.com)

25 Years  
of cleaning the air you breathe  
**amaircare®**