



OWNERS MANUAL



Distributed By
Bio-Shine dba. OdoroxAir

HRC06™ Hydroxyl Air Curtain



190 Summerhill Road | Spotswood NJ 08884 | (732) 251-9506 ext. 211
odoroxair@bio-shine.com | www.OdoroxAir.com

Table of Contents

SAFETY INFORMATION.....	1
PACKAGE CONTENTS.....	4
INSTALLATION INSTRUCTIONS.....	5
OPERATING GUIDELINES.....	9
OPERATING INSTRUCTIONS.....	10
CARE INSTRUCTIONS.....	12
OPTIC REPLACEMENT INSTRUCTIONS.....	13
FILTER CLEANING & REPLACEMENT.....	14
TROUBLESHOOTING GUIDE.....	15
REPLACEMENT PARTS.....	17
SPECIFICATIONS AND LIMITED WARRANTY.....	20
LIMITED USE END-USER LICENSE AGREEMENT.....	23



Safety Information

Warning!

Use this Hydroxyl Generator only for its intended purpose as described in this Owner's Manual.

PLEASE READ AND SAVE THESE IMPORTANT SAFETY INSTRUCTIONS.

IMPORTANT SAFEGUARDS

When using electrical equipment, basic safety precautions should always be followed to reduce the risk of fire, electric shock, and injury to persons, including the following:

- Read all instructions before using this hydroxyl generator.
- If the generator is covered by a bag or contains packing material when shipped: Remove plastic bag and packing materials before use.
- To protect against electrical hazards, DO NOT immerse in water or other liquids. Do not use near water.
- **WARNING!** Always turn electrical power off to the unit prior to maintenance or cleaning.
- Use generator only for intended use as described in this manual.
- **INDOOR USE ONLY!**
- **CAUTION!** For General Ventilating Use Only. Do Not Use to Exhaust Hazardous or Explosive Materials and Vapors.
- DO NOT attempt to repair or adjust any electrical or mechanical components on this unit. Doing so will void your warranty. The inside of the unit contains no user serviceable parts. All servicing should be performed by authorized personnel only.
- NEVER use detergents, gasoline, furniture polish, paint thinner or other household solvents to clean any part of the generator.

Safe Handling and Disposing of Mercury

Mercury is used in the HRC06™ device in order to generate the plasma needed to produce UV-C radiation. This is similar to the use of mercury in many types of commercial, fluorescent light fixtures. As long as the glass or quartz outer bulb is intact, mercury is contained within the fixture and poses no health hazard. In the event that an optic breaks, less than 25 mg of mercury could be released. This is much less than what is present in a commercial thermometer. Liquid metallic mercury is hazardous due to its potential to release mercury vapor. In humans, approximately 80% of inhaled mercury vapor is absorbed via the respiratory tract, where it enters the circulatory system and is distributed throughout the body. Short term exposure to 25 mg of spilled mercury does not pose a health hazard, **provided that the source of the mercury is removed promptly**. Chronic exposure by inhalation, even at low concentrations in the range 0.7–42 µg/m³, can cause effects such as tremors, impaired cognitive skills, and sleep disturbance in workers. The OSHA limit for occupational exposure of elemental mercury is 0.1 mg/m³. Mercury is also used in most fluorescent light fixtures.

In the event that the device optic light does not function, the optics should be checked to ensure that they are intact. If the optic is cracked, but not broken, it should be replaced. Cracked optics should be double sealed in plastic bags and disposed of according to local, approved procedures. In the event that the optic breaks and the mercury spilled is clean-up should be done immediately according to the following procedure published by the Environment Protection Agency.

- Evacuate the room for at least 15 minutes
- Do not attempt to clean up the spill with a vacuum cleaner, mop or broom.
- Dispose of clothing, fabric etc. that has come in contact with mercury; do not wash.
- Only the individual to clean up the spill should re-occupy the space.
- Close the doors to the area of the spill and turn off the HVAC system; open exterior windows and direct room air out of the window with fans or use an exhaust fan if the area is equipped with one that vents directly outdoors.
- Cover shoes with disposable foot covers or wear shoes that will be disposed of.
- Remove jewelry as mercury will amalgamate with metals and ruin them .
- Use a commercial mercury spill clean-up kit to remove the spilled mercury. (See list of suppliers on the next page).
- **Identify items in the spill area that can be cleaned and those that cannot.** Non-porous surfaces (finished wood, plastic or concrete) can be cleaned following this guidance. Porous surfaces or fabric-covered items (upholstery, carpeting, stuffed animals, pillows, backpacks, unfinished wood, cork, cardboard) are difficult to clean because mercury beads may be trapped in these materials. If you decide you cannot clean these items, place them in plastic trash bags or cover or wrap them in a double layer of plastic and carefully seal with tape. Place the wrapped items in a secure place, preferably outdoors and out of the reach of children and pets. You should consult with a trained professional about how to decontaminate or dispose of these items safely.
- **Wear gloves to carefully pick up the larger pieces of broken glass and what remains of the broken device and place them on a paper towel.** Gently fold the paper towel around these pieces so you can pick the bundle up and place it in a zipper-type plastic bag. **Use index cards or stiff cardboard to push smaller pieces of glass and mercury beads together into a pile.** Shine a flashlight at an angle to locate beads of mercury. The beads will reflect light from the flashlight. Check for mercury in cracks or in hard-to-reach areas where beads may be hidden or trapped. Check a wide area beyond the spill.

- **Use the eyedropper to collect mercury beads and place them in the plastic bag.** Hold the eyedropper at an angle to draw the mercury into the tip. Keep the eyedropper at an angle to stop the mercury from rolling back out until you can put the mercury into the plastic bag. Wrap tape (sticky side out) around your gloved fingers and carefully use it to pick up any remaining glass or beads. Check again with the flashlight to be sure that no beads of mercury remain.
- At this point, mercury beads may still be trapped in cracks or crevices on irregular surfaces. **Sprinkle sulfur powder over the contaminated area** and rub it gently all over the surface and into the cracks with a paper towel. Sulfur powder binds with mercury. Use a paper towel dampened with water followed by wiping with another damp paper towel to clean up the sulfur and mercury. Place the used paper towels in a zipper-type plastic bag.
- **Put all the items that were used to pick up the mercury, including index cards or cardboard, eyedropper, contaminated tape, paper towels, and zipper-type bags into the trash bag.** Carefully remove rubber gloves by grabbing them at the wrist and pulling them inside out as they come off. Place the used gloves in the trash bag.
- **Carefully seal the trash bag that contains the mercury-contaminated waste** and put it in a secure place, preferable outdoors and out of reach of children and pets until it can be disposed of safely.
- If possible, **open a window and use a fan to ventilate the area to the outdoors for 24-48 hours** before resuming normal use. If possible, heat the area (for example, with a space heater) while still ventilating to the outdoors. Avoid blowing the exhaust back indoors or into other nearby residences.
- **Clothes or shoes that did not come in direct contact with liquid mercury should be removed and put into the trash bag** that was left outside the contaminated area at the beginning of the cleanup. Close the trash bag and take it outdoors. Carefully remove the shoes and or clothing from the trash bag and air them out thoroughly outdoors for 24 to 48 hours. After the outdoor

airing, items that are washable can then be laundered.

- **Dispose of contaminated items properly!** Mercury-contaminated items should not be placed in the regular household trash. Contact your town or county officials for information about hazardous waste disposal in your community.

Mercury Spill Kit Suppliers

Crackle Scientific	800-334-7725
---------------------------	--------------

Lab Safety Supply	800-356-0783
--------------------------	--------------

Cole-Parmer	800-323-4340
--------------------	--------------

For schools and businesses only:

Fisher Scientific	800-766-7000
--------------------------	--------------

Mallinckrodt/Baker	800-582-2537
---------------------------	--------------

Sigma Aldrich	800-325-3010
----------------------	--------------

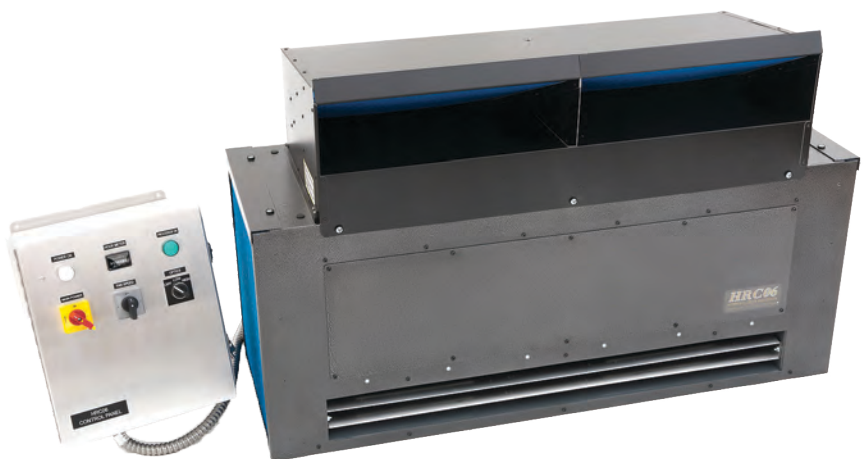
VWR Scientific	800-932-5000
-----------------------	--------------

For schools only:

Fisher Scientific	800-452-1261
--------------------------	--------------

Package Contents

- 1) Odorox® HRC06™ Hydroxyl Generator w/Control Panel
- 2) Washable Filters x 4
- 3) Owner's Manual
- 4) Wallmount bracket w/Hardware



Installation Instructions

The Odorox® HRC06™ Unit can be wall-mounted using the supplied angle brackets, or suspended from the ceiling (mounting hardware not supplied).

Wall Installation

STEP 1: Determine the desired location. Ensure wall construction is capable of supporting the HRC06™ unit with a minimum 2.5 safety factor or as per local and national code (2.5 times the weight of the HRC06™ unit). The wall should be able to support a minimum of 300lbs (136.08kg).

Note: As regular cleaning/maintenance will be required, ensure minimum unit clearances of 36 inches (914.40mm) is maintained when considering final placement (see [Figure 1](#) on Page 6).

STEP 2: Using the included wall-mount brackets, mark out the anchor points on the wall with the correct spacing (see [Figure 2](#) on Page 6).

STEP 3: Install wall brackets with the appropriate anchors/hardware for the construction type (not included).

Note: If installing on a framed wall, additional structural support may be necessary to meet the requirements of Step 1.

STEP 4: Prep the HRC06™ unit for installation; remove packaging materials, remove the temporary plastic straps on the steel flex, carefully uncoil the steel flex while supporting the control panel, remove the end filter access panels and remove the end filters.

STEP 5: Using an approved lifting means (forklift, cable hoist, etc), safely lift the HRC06™ unit onto the brackets and secure using the provided hardware (see [Figure 3](#) on Page 6).

STEP 6: Locate desired control panel location and secure panel using appropriate anchors/hardware for construction type (not supplied).

STEP 7: Secure steel flex to wall as per local code using an approved means.

Note: Electrical service to be installed by a qualified electrician and must conform to local and national electrical codes and ordinance.

STEP 8: Install main electrical service and make connections in the control panel as follows (see [Figure 6](#) on Page 8 for HRC06TA00 120VAC/60Hz and [Figure 7](#) on Page 8 for HRC06TA01 230VAC/50Hz).

INSTALLATION INSTRUCTIONS

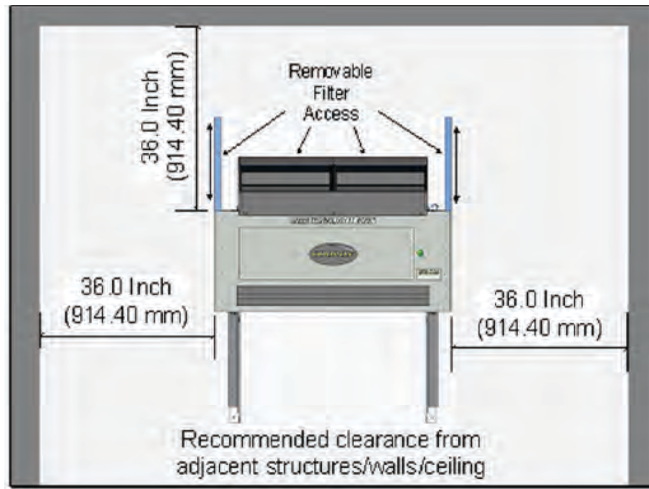


Figure 1

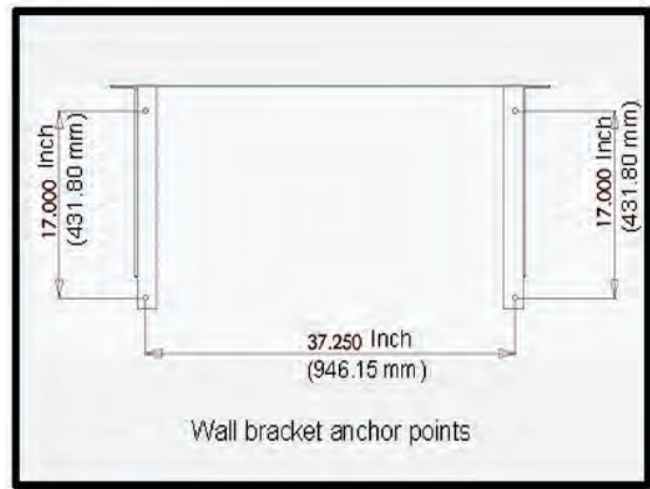


Figure 2

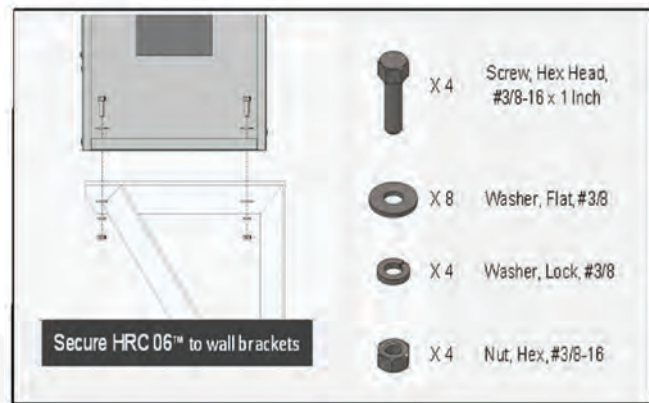


Figure 3

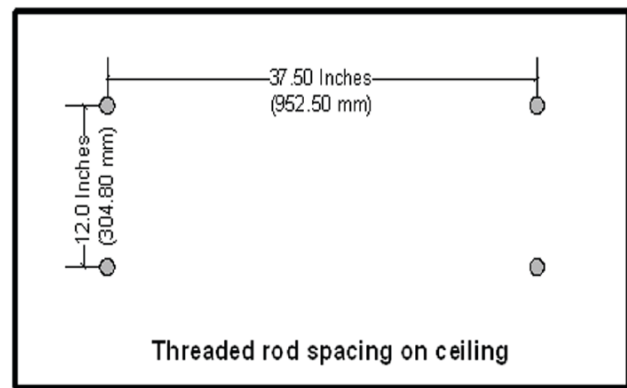


Figure 4

Ceiling Installation

STEP 1: Determine the desired location. Ensure ceiling construction is capable of supporting the HRC06™ unit with a minimum 2.5 safety factor or as per local and national code (2.5 times the weight of the HRC06™ unit). The ceiling should be able to support a minimum of 300lbs (136.08kg).

Note: As regular cleaning/maintenance will be required, ensure minimum unit clearances of 36 inches (914.40mm) is maintained when considering final placement (see [Figure 1](#) on Page 6).

STEP 2: Use [Figure 4](#) on Page 6 as a guide to mark out the ceiling anchor points with the correct spacing.

STEP 3: Install threaded rods from the ceiling with the appropriate anchors hardware for the construction type (not included).

STEP 4: Prepare the HRC06™ unit for installation; remove packaging materials, remove the temporary plastic straps on the steel flex, carefully uncoil the steel flex while supporting the control panel, remove the end filter access panels and remove the end filters.

STEP 5: Using an approved lifting means (forklift, cable hoist, etc), safely lift the HRC06™ unit into position and secure to the threaded rods using the appropriate hardware (see [Figure 5](#) on Page 7).

STEP 6: Locate desired control panel location and secure panel using appropriate anchors/hardware for construction type (not supplied).

STEP 7: Secure steel flex to wall as per local code using an approved means.

Note: Electrical service to be installed by a qualified electrician and must conform to local and national electrical codes and ordinances.

STEP 8: Install main electrical service and make connections in the control panel as follows (see [Figure 6](#) on Page 8 for HRC06TA00 120VAC/60Hz and [Figure 7](#) on Page 8 for HRC06TA01 230VAC/50Hz).

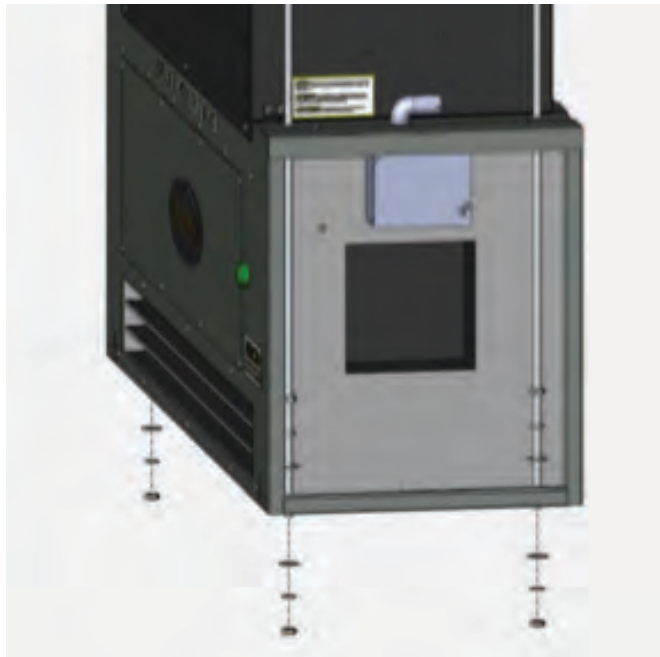


Figure 5

Electrical Supply Connection

HRC06TA00 (120VAC, 60Hz)

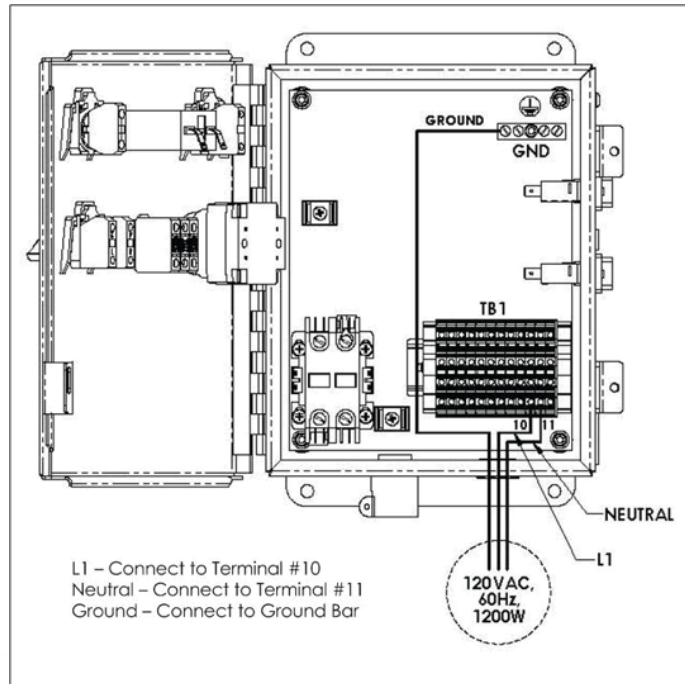


Figure 6

HRC06TA01 (230VAC, 50Hz)

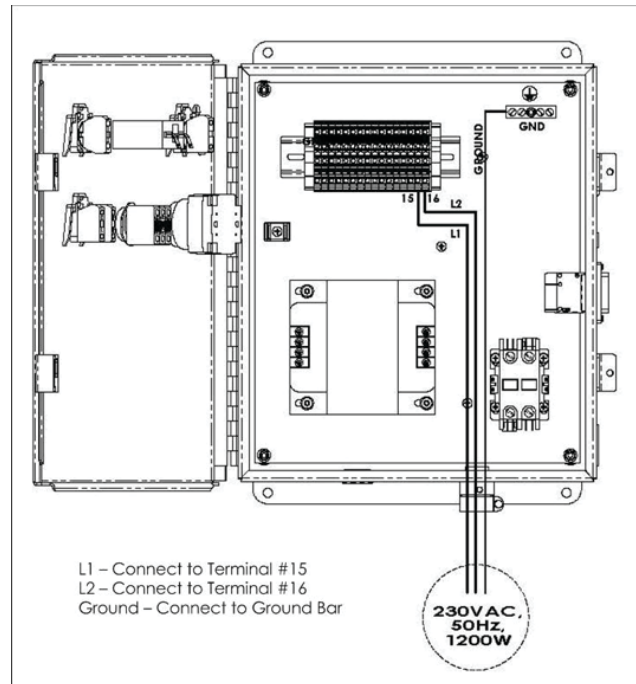


Figure 7

Operating Guidelines

The HRC06™ unit is designed for large treatment areas and can modulate hydroxyl output to sanitize and deodorize. This wall mounted unit can be used in gymnasiums, large commercial spaces, warehouses and industrial applications.

The table below summarizes the minimum treatment area in the absence of ventilation, and the treatment area range under typical operating conditions: 3 air changes per hour, 90% recirculated air, and 9 foot (2.7 m) ceilings. If the treated space contains a high contaminate or odor load, the effective treatment area will be smaller than the range listed below. These guidelines should be adhered to for optimal performance and safety.

Minimum Area (no circ)	4,012 ft ² [373 m ²]
-------------------------------	---

Treatment Range (ft²)	3,400 - 6,500
---	---------------

Treatment Range (m²)	316 - 604
--	-----------

Recommended treatment area per HRC06™ Unit

Operating Instructions

All operator controls are located in the HRC06™ Control Panel (see Figure 8 and 9 on page 11).

1) MAIN POWER SWITCH

STEP A: This switch must be in the “On” position for normal HRC06™ system operation.

STEP B: Turning this switch to the “Off” position will de-energize the HRC06™ system.

2) FAN SPEED SWITCH

STEP A: Turn switch to the “1” position for low speed, “2” position for medium speed and “3” position for high speed.

STEP B: Turning switch to the “Off” position will turn off the fan/blower unit and the optics (optics are connected through a pressure switch and will only operate with the “Fan Speed” switch in position “1”, “2”, or “3”).

3) OPTICS SWITCH

STEP A: Turning the switch to the Low position will energize three Odorox® optics.

STEP B: Turning the switch to the High position will energize six Odorox® optics.

STEP C: Turning the switch to the “Off” position will de-energize all optics.

Note: Fan/blower must be turned on in order for optics to be energized.

4) PROCESSOR ON LED

STEP A: The LED will be on when the system is operating normally with the “OPTICS” switch in either the Low or High positions.

STEP B: Turning the “Fan Speed” switch or “MAIN POWER” switch to the “Off” position will turn off the LED.

STEP C: A duplicate LED is also located on the front of the HRC06™ Unit and functions the same as the “PROCESSOR ON” LED.

5) HOUR METER

The meter will function whenever the Odorox® optics are energized and is designed to monitor the optics usage.

6) POWER ON LED

The LED will be on when the “MAIN POWER” switch is in the “On” position and there is an energized electrical service provided to the HRC06™ Control Panel.

7) CB1 MOTOR POWER BREAKER

Breaker provides protection for the motor circuit. If tripped, push to reset.

8) CB2 MOTOR POWER BREAKER

Breaker provides protection for the Odorox® optics circuit. If tripped, push to reset.

HRC06MA08 CONTROL PANEL (120VAC)

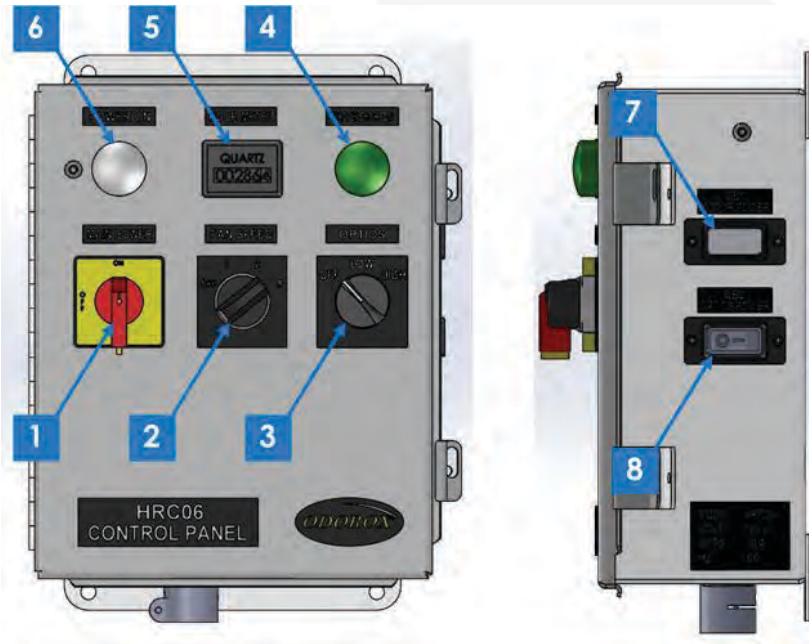


Figure 8

HRC06MA12 CONTROL PANEL (230VAC)

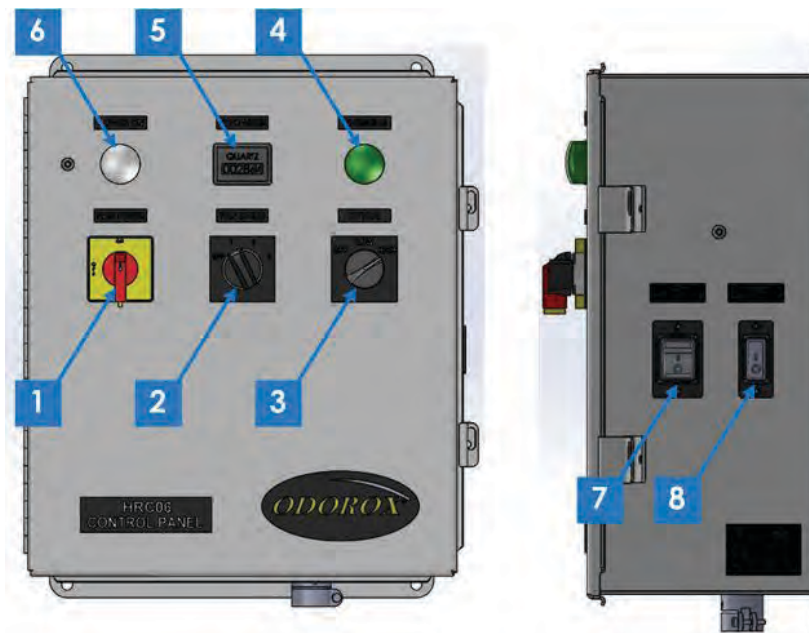


Figure 9

Care Instructions

▲ **Caution:** DISCONNECT the unit from an electrical power source before performing any maintenance or cleaning on the unit.

STEP 1: Turn “MAIN POWER” switch to the “Off” position

STEP 2: Install an approved safety lockout device on the “MAIN POWER” switch (see [Figure 10](#)).

STEP 3: Proceed with cleaning instructions below:

SYSTEM CASE CLEANING

Exterior

The exterior of the Odorox® product can be cleaned with mild dishwashing detergent and a clean cloth. DO NOT use any all-purpose cleaners with harsh detergents or abrasives, as these may damage the exterior of the equipment and void any warranty. Care should also be taken to avoid spraying or otherwise directing detergent or water into or around electrical components.

Interior

The interior of the Odorox® product can be cleaned in the same manner as the exterior with the exception of the optics and optics' housing.

OPTIC CLEANING

Cleaning of the Odorox® optics is recommended to maintain peak processing efficiency. Fingerprints, smudges, dirt, dust particles, etc. will interfere with the hydroxyl production and should be avoided.

Note: Remove the optics from the optic chamber prior to cleaning to avoid any damage to the optics during the cleaning process (refer to the Optic Replacement Instructions and Safety Information for proper removal).

To clean the optics, use a solution of 10% Isopropyl Alcohol and 90% filtered/distilled water on a clean lint-free cloth and wipe gently. **Do not use any type of commercial glass cleaner.** Using another lint-free cloth, gently wipe the optic until completely dry.



Figure 10

Optic Replacement Instructions

⚠ **Caution:** DISCONNECT the unit from an electrical power source before performing any maintenance or cleaning on the unit.

⚠ **Caution:** Optics contain Mercury. Dispose of optics in accordance with local regulations.

STEP 1: Turn “MAIN POWER” switch to the “Off” position

STEP 2: Install an approved safety lockout device on the “MAIN POWER” switch (see [Figure 10](#) on Page 12)

STEP 3: Using a flat head screwdriver turn the three quarter turn fasteners counter clockwise on the black filter intake/optic shield

STEP 4: Slide forward and remove the black filter intake/optic shield

STEP 5: Install new optic following these instructions:

- With a firm grip on the upper porcelain end of the optic, use your other hand to grip the optic connector.
- Gently ‘wiggle’ connector while pulling from the optic base.
- Gently pull optic from three lamp supports (**Do not put any pressure on the side of the optic without support**).

STEP 6: Install new optic following these instructions:

- Remove new optic from packaging and gently insert into the three optic clips.
- With a firm grip on the upper porcelain end of the optic, use your other hand to grip the optic connector.
- Gently connect the optic connector to the optic.

Note: Optic connector is keyed with the optic base and will connect in one direction only.

- Ensure optic connector and optic base are firmly pressed together.

STEP 7: Re-install black filter intake/optic shield.

STEP 8: Remove lockout device on the “MAIN POWER” switch (see [Figure 10](#) on Page 12).

STEP 9: Test unit for proper operation.

Filter Maintenance Instructions

The Odorox® HRC06™ Unit comes with four washable filters; two in the black filter intake/optic shield and one on each side (see [Figure 11](#)). A periodic cleaning schedule will need to be put in place to ensure the HRC06™ Unit remains operating at peak efficiency. This cleaning schedule will depend on the level of airborne dirt/contaminants in the treatment space and should be frequent enough so as to avoid any substantial buildup on the filters. To clean the filters follow these steps:

⚠ Caution: DISCONNECT the unit from an electrical power source before performing any maintenance or cleaning on the unit.

- STEP 1:** Turn “MAIN POWER” switch to the “Off” position
- STEP 2:** Install an approved safety lockout device on the “MAIN POWER” switch (see [Figure 10](#) on Page 12).
- STEP 3:** Remove all four filters from the HRC06™ Unit.
- STEP 4:** Wash filters with warm water (avoid using a pressure washer or damage may result). If warm water alone does not clean the filters properly, use of a biodegradable cleaning solution may be necessary.
- STEP 5:** Ensure clean filters are totally dry prior to re-installing them in the HRC06™ Unit (see [Figure 11](#)).



Figure 11

Troubleshooting Guide

Problem	Possible Cause	Solution
White “POWER ON” LED will not light up	“MAIN POWER” switch is in the “Off” position.	Turn “MAIN POWER” switch to the “On” position.
	Turn “MAIN POWER” switch to the “On” position.	Verify that the electrical supply to the HRC06™ unit is energized.
	White LED has failed.	Contact local distributor for service.
	Internal component failure.	Contact local distributor for service.
Green “PROCESSOR ON” LED will not light up	“OPTICS” switch is in the “Off” position.	Turn on “OPTICS” switch to Low or High position.
	“Fan Speed” switch is in the “Off” position.	Turn on “Fan Speed” switch to position “1”, “2”, or “3”.
	“MAIN POWER” switch is in the “Off” position.	Turn “MAIN POWER” switch to the “On” position.
	Electrical service to the HRC06™ unit has been interrupted.	Verify that the electrical supply to the HRC06™ unit is energized.
	Circuit breaker 1 (CB1) 10 Amp on side of control panel is tripped.	Reset CB1.
	Circuit breaker 2 (CB2) 5 Amp on side of control panel is tripped.	Reset CB2
	Green LED has failed.	Contact local distributor for service.
	Internal component failure.	Contact local distributor for service.

Problem	Possible Cause	Solution
Optic/Optics not functioning	Rated life of optic has been met.	Contact local distributor for replacement optics/service.
	Optics have been damaged.	Contact local distributor for replacement optics/service.
	Internal component failure.	Contact local distributor for service.
Fan not functioning	“MAIN POWER” switch is in the “Off” position.	Turn “MAIN POWER” switch to the “On” position.
	“Fan Speed” switch is in the “Off” position.	Turn on “Fan Speed” switch to position “1”, “2”, or “3”.
	Internal component failure.	Contact local distributor for service.
	Electrical service to the HRC06™ unit has been interrupted.	Verify that the electrical supply to the HRC06™ unit is energized.
	Circuit breaker 1 (CB1) 10 Amp on side of control panel is tripped.	Reset CB1.

Replacement Parts

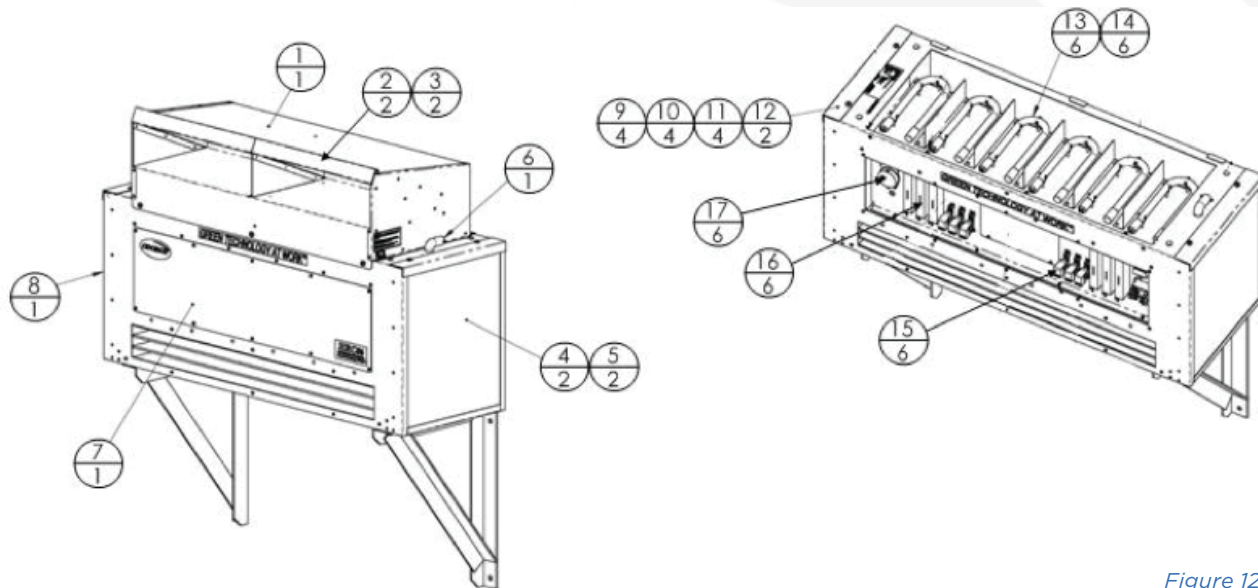


Figure 12

ITEM Number	PYURE Part #	Qty In Each HRC06™ Unit (See Figure 12)	Part Description
1	HRC06MA01	1	Light Box W/Switch & Filter Assembly
2	HRC06MD37	2	Filter Cover, Light Box
3	FIL-XB-365	2	Filter, 17-3/4" X 12" X 1", Blue
4	FIL-XA-365	2	Filter, 17-3/4" X 14-3/4" X 1", Blue
5	HRC06MD40	2	Filter Guard
6	CON-MX-457	1	Connector, 90 Deg, Non Insulated, 1/2", Zinc
7	HRC06MD34	1	Front Cover, Main Wrap
8	HRC06MA02	1	Top Cover w/Filter & Angle Bracket Assembly
9	HDW-SP-080	4	Retainer for Spring, Black, Plastic
10	HDW-SP-097	4	Retainer, Steel
11	HDW-SP-098	4	Stud, Steel, Phillips Recess #2 Head, 6mm Dia, 15mm Lg
12	HRC06MD38	2	Filter Door, Side
13	OPT-XX-078	6	Optic, U-Lamp 'B'
14	HRC06EA10	6	Optic Power Cable
15	XSA00MA13	6	Current Sensor Assembly
16	HRC06EA15	6	Ballast Assembly
17	ESW-XX-162	1	Switch, Low Pressure Snap-Action

230VAC, 50Hz Control Panel

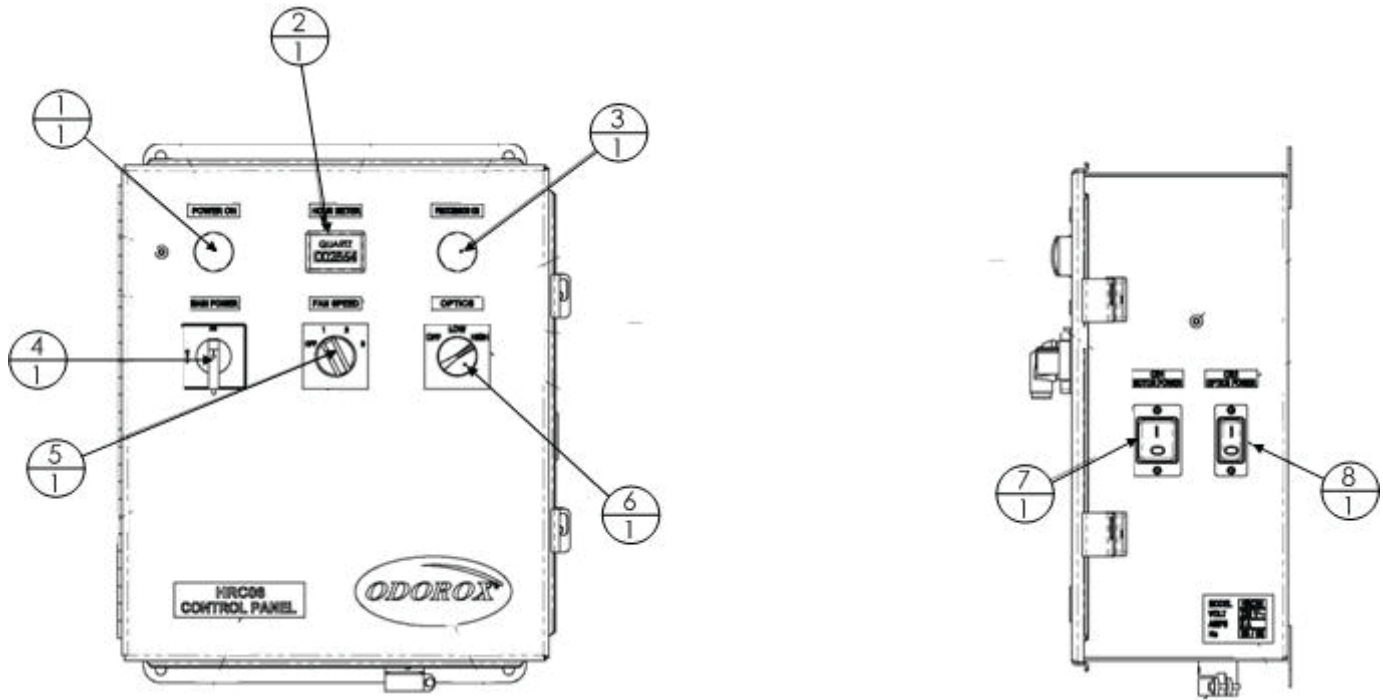


Figure 13

120VAC, 60Hz Control Panel

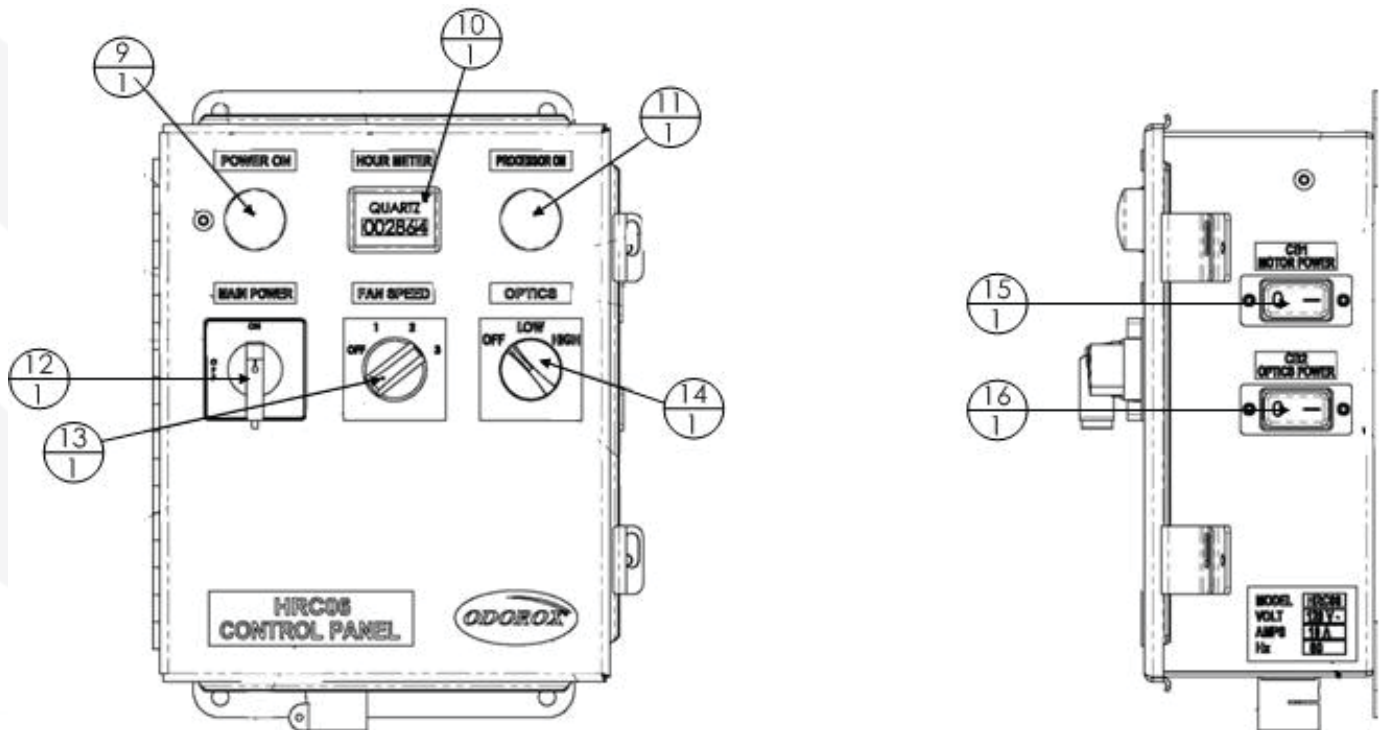


Figure 14

ITEM Number	PYURE Part #	Quantity In Each HRC06™ Control Panel (See Figures 13 & 14 on page 18)	Part Description
1	EPC-IL-552	1	White Led Assembly, 230-240vac
2	EPC-HM-027	1	Hour Meter, 90-264VAC, 50/60Hz, Rect. Sealed
3	EPC-IL-021	1	Light Module, Protected LED, 110-120VAC, Green
4	ESW-CS-003	1	Switch, Cam, 1 Pole/1 Stage, 10A
5	XSA00MD35	1	Modification, ESW-XX-014
6	ESW-XX-019	1	Switch, Mounting Base with 1 N.O. and 1 N.C. Contact Blocks
7	EPC-CB-486	1	Circuit Breaker, 7A, 2 Pole, Snap-in, 240/60VAC/VDC
8	EPC-CB-487	1	Circuit Breaker, 5A, 1 Pole, Snap-in, 240/32VAC/VDC
9	EPC-IL-221	1	White LED Assembly, 48-120VAC
10	EPC-HM-027	1	Hour Meter, 90-264VAC, 50/60Hz, Rect. Sealed
11	EPC-CB-003	1	Light Module, Protected LED, 110-120VAC, Green
12	ESW-CS-002	1	Switch, CAM, 1 Pole/1 Stage, 25A
13	EPC-XX-008	2	Modification, ESW-XX-014
14	ESW-XX-019	1	Switch, Mounting Base with 1 N.O. and 1 N.C. Contact Blocks
15	EPC-RY-028	1	Circuit Breaker, 10A, 1 Pole, Snap-in, 240/32VAC/VDC
16	EPC-CB-487	1	Circuit Breaker, 5A, 1 Pole, Snap-in, 240/32VAC/VDC

Specifications

Dimensions (LxWxD):	45" x 31" x 29" [1143mm x 787mm x 737mm]
Weight:	141lbs [63.95kg]
Voltage:	120V @ 60 Hz 230V @ 50Hz
Power:	1,200 Watts (max)
Number of Optics:	6
Fan Rating:	Max. 1500 ft ³ /m [2,548 m ³ /h]
Noise Rating:	60dBA @ 10ft [3m] from the unit
Filter:	2 washable filters 17.75" x 12" x 1" [451mm x 305mm x 25mm] 2 washable filters 17.75" x 14.75" x 1" [451mm x 375mm x 25mm]
Shipping Dimensions:	55" x 23" x 35" [1,397mm x 584mm x 889mm]
Certification:	Available based on local requirements (consult manufacturer)

Limited Warranty

The PYURE Company, Incorporated warrants that this Odorox® product (excluding spare parts and consumables) shall be free from defects in workmanship or materials for a period of two (2) years from the delivery thereof to the customer.

PLEASE KEEP THIS PART FOR YOUR RECORDS

Serial #: _____

Model #: _____

Date of Purchase: _____

Vendor Name: _____

The PYURE Company
2055 High Ridge Road
Boynton Beach, FL 33426

(561) 735-3701 | www.pyureco.com

Complete below and reverse side. Tear along perforation
and mail to The PYURE Company within 60 days of purchase.

You may also visit www.pyureco.com and register your warranty on-line.

From: _____

Place
Stamp
Here

The PYURE Company
2055 High Ridge Road
Boynton Beach, FL 33426

The PYURE Company (“PYURE”) warrants that the product set forth below will be free from defects in materials and workmanship for the period of two (2) years from the date of original purchase under the following terms and conditions: To obtain service under this warranty, send or deliver this product within the warranty period together with the warranty certificate to any PYURE regional office or PYURE authorized warranty service center. If requested, by PYURE or a PYURE authorized service center, you must present proof of purchase showing date and place of purchase. If upon inspection by PYURE or an PYURE authorized warranty service center, the product is proved to be defective, it will be repaired without charge using, if necessary, new parts or comparable used parts that have been fully reconditioned and returned to you. The warranty period for replacement parts shall extend for a period of six (6) months following the installation of same or for the remaining period of this warranty whichever is longer. This warranty card does not apply in the following cases: (a) damage to product due to mishandling, alteration, failure to follow operation, maintenance or environmental instructions prescribed by applicable instruction manual or shipping damage; (b) damage caused during service performed other than PYURE or an PYURE authorized service center; (c) if the product has had its serial number(s) or other identifying data removed; or (d) damage, defect or unsatisfactory performance caused by the use of equipment not manufactured or distributed by PYURE. IN NO EVENT WILL PYURE BE LIABLE FOR ANY DAMAGE, INCLUDING INCONVENIENCE, LOST PROFITS, OR LOST SAVINGS, OTHER INCIDENTAL DAMAGE STEMMING FROM THE USE OF THE PRODUCT OR OUT OF DEFECTS THEREIN, OR BY BREACH OF THIS EXPRESSED WARRANTY OR ANY IMPLIED WARRANTY WITH THE RESPECT OF THIS PRODUCT, WHETHER ON ACCOUNT OF NEGLIGENCE OR OTHERWISE, EVEN IF PYURE OR AN PYURE AUTHORIZED WARRANTY SERVICE CENTER HAS BEEN ADVISED OF THE POSSIBILITY OF SUCH DAMAGES.

Some states or provinces do not allow limitations on how long an implied warranty lasts or limitations of incidental or consequential damages, so the above limitations may not apply to you. This warranty gives you specific legal rights and you may also have other rights which vary from state to state or province to province.

Purchaser’s Name: _____

Address: _____

City: _____ **State/Prov:** _____

ZIP/Postal Code: _____

Purchaser’s Type of Business: _____

Primary Use for Machine: _____

Model Type: _____ **Serial #:** _____

Vendor’s Name: _____

Vendor’s Address: _____

Limited Use End-User License Agreement

This End-User License Agreement (EULA) is a legal agreement between you (either an individual or a single entity) and the mentioned owner (The PYURE Company) of any computer software which may include associated firmware, media, printed materials, and “online” or electronic documentation (“Licensed PYURE Software”).

By installing, copying, or otherwise using the Licensed PYURE Software, you agree to be bounded by the terms of this EULA. If you do not agree to the terms of this EULA, do not install or use the Licensed PYURE Software in the Odorox® product.

Licensed PYURE Software.

The Licensed PYURE Software is protected by U.S. and international copyright, patent, trade secret laws and well as other international intellectual property laws and treaties. Upon your acceptance of this EULA, The PYURE Company grants to you a nonexclusive, revocable license to use the Licensed PYURE Software, provided that you agree to the following:

1. Grant of License.

The Licensed PYURE Software is licensed, not sold. You own a copy of any media or hardware on which the Licensed PYURE Software is shipped, but not a copy of the Licensed PYURE Software itself. The PYURE Company retains all title, copyrights, and other intellectual property rights in the Licensed PYURE Software and any copies thereof. You may use a copy of the Licensed PYURE Software with any Odorox® product for which you have accepted the terms of this EULA.

2. Restrictions.

You must maintain all notices including copyrights on all copies of the Licensed PYURE Software. You may not modify, adapt, translate, reverse engineer, decompile, disassemble, or otherwise attempt to learn the source code of the Licensed PYURE Software, except and only to the extent that such activity is expressly permitted by applicable law notwithstanding this limitation.

3. Termination.

Your rights under this EULA terminate upon your termination of this EULA, or without prejudice to any other rights, The PYURE Company may terminate this EULA if you fail to comply with its terms and conditions. In such event, you must destroy all copies of the Licensed PYURE Software.

4. No Software Warranty Independent from Other Warranties.

The Licensed PYURE Software is being delivered to you “AS IS” and The PYURE Company makes no warranty as to its use or performance, other than any the “Limited Warranty” on the Odorox® product described above.

5. LIMITATION OF LIABILITY.

TO THE MAXIMUM EXTENT PERMITTED BY APPLICABLE LAW, IN NO EVENT SHALL THE PYURE COMPANY OR ITS SUPPLIERS BE LIABLE FOR ANY SPECIAL, INCIDENTAL, INDIRECT, OR CONSEQUENTIAL DAMAGES

LIMITED USE END-USER LICENSE AGREEMENT

OR ANY DAMAGES WHATSOEVER (INCLUDING, WITHOUT LIMITATION, DAMAGES FOR LOSS OF BUSINESS PROFITS, BUSINESS INTERRUPTION, LOSS OF BUSINESS INFORMATION, LOSS OF SAVINGS, OR ANY OTHER PECUNIARY LOSS) ARISING OUT OF THE USE OF OR INABILITY TO USE THE LICENSED PYURE SOFTWARE PRODUCT, OR FOR PROVISION OF OR FAILURE TO PROVIDE SUPPORT SERVICES, EVEN IF THE PYURE COMPANY HAS BEEN ADVISED OF THE POSSIBILITY OF SUCH DAMAGES.

THE ENTIRE LIABILITY OF THE PYURE COMPANY AND YOUR EXCLUSIVE REMEDY UNDER THIS EULA IS, AT THE OPTION OF THE PYURE COMPANY, CORRECTING OR WORKING AROUND ERRORS, REPLACING THE MEDIA, OR REFUNDING THE PURCHASE PRICE. IN NO EVENT SHALL THE PYURE COMPANY'S ENTIRE LIABILITY UNDER THIS EULA EXCEED THE PURCHASE PRICE (EVEN IF THE LICENSED PYURE SOFTWARE PRODUCT IS DOWNLOADED WITH OTHER THIRD PARTY SOFTWARE FREE OF CHARGE) OF THE LICENSED PYURE SOFTWARE PRODUCT.

6. Miscellaneous.

This EULA is governed by the laws of the State of Florida, U.S.A., and jurisdiction for any action based on the Licensed PYURE Software shall lie in a court located in Palm Beach County Florida. If any part of this EULA is found void and unenforceable, it will not affect the validity of the balance of the EULA, which shall remain valid and enforceable according to its terms. Should you have any questions concerning this EULA, or if you desire to contact The PYURE Company for any reason, please visit: www.pyureco.com/contact.



Need Support?

Contact our support team

Copyright 2020, The PYURE Company

ODOROX®, HRC06™, and Powered by PYURE Technology™ are trademarks of The PYURE Company, Boynton Beach, FL 33426 USA



190 Summerhill Road | Spotswood NJ 08884 | (732) 251-9506 ext. 211
odoroxair@bio-shine.com | www.OdoroxAir.com