
USER MANUAL

**MODEL NUMBER:
F100
and related units**

2.6 Gallon Dual-Power Foam Unit

English (Original Instructions)

READ ALL INSTRUCTIONS BEFORE OPERATING EQUIPMENT



WARNING



Read this manual completely and understand the machine before operating or servicing it.

- Read all instructions before installing or operating unit.
- Always wear appropriate personal protective equipment (PPE) when operating or servicing unit.
- Always follow all chemical safety precautions and handling instructions provided by the chemical manufacturer and Safety Data Sheet (SDS).
- If this unit is modified or serviced with parts not listed in this manual, the unit may not operate correctly.
- Never point the discharge wand at yourself, another person, or any object you do not want covered in chemical.
- Never leave unit unattended while pressurized.
- Always depressurize unit before attempting to remove the pump assembly.
- Always depressurize unit after use (as described in the After Use Instructions). Always store unit depressurized.
- Do not pressurize unit by any means other than the built-in pump assembly.
- Do not modify or remove pressure relief valve. Do not use unit if pressure relief valve is not operational.
- Always flush the unit with fresh water when switching from an alkaline to an acid or an acid to an alkaline.
- Always carry unit by the carrying handle. Never lift or carry the unit by the pump handle or the wand.
- Never use unit with hydrocarbons or flammable products.
- Do not exceed a fluid temperature of 100°F (37°C).

PROTECT THE ENVIRONMENT

Please dispose of packaging materials, old machine components, and hazardous fluids in an environmentally safe way according to local waste disposal regulations.



Always remember to recycle.

*Specifications and parts are subject to change without notice.

REQUIREMENTS	
Compressed air requirements	40 psi (3 bar) with 2-5 cfm (57-142 l/min)
Liquid temperature range	40-100°F (4.4-37°C)
Chemical compatibility	Chemical products used with this equipment must be formulated for this type of application and compatible with unit materials and pump seals. For more information on chemical compatibility, consult the manufacturer or SDS for your product or contact our customer service department.

SPECIFICATIONS	
Power type	Compressed air or manual
Chemical pickup type	Draws from pre-mixed solution
Number of products unit can draw from	One product
Operating Capacity	2.6 gallons (10 liters)
Discharge line length/diameter	6 ft. (1.8 m) hose, with 1/4 in. (6.4 mm) inside diameter
Discharge wand/tip type	Polypropylene trigger handle with 65° fan tip
Foam output distance	5-6 ft. (1.5-1.8 m)
Foam output volume	3 gal/min (11.4 l/min)
Flow rate*	0.5 gal/min (1.9 l/min)
Pump seals	Viton

*Dilution rates and flow rates given are based on chemical with viscosity of water and factory air pressure settings.

READ ALL INSTRUCTIONS BEFORE OPERATING EQUIPMENT

Operation Instructions:

1. Ensure all air pressure is released from unit by activating the pressure relief valve.
2. Securely hold the unit and unscrew the pump assembly (LC-PA) from the tank in a counter-clockwise motion.
3. Follow all instructions from chemical manufacturer. Fill tank 3/4 of the way with pre-mixed solution.
Note: Do not overfill tank with solution.
4. Securely hold the tank and screw the pump assembly back on in a clockwise motion.
5. For use with compressed air operation: With the discharge valve (PSG12) in the closed position, plug an airline into the air fitting (AP25). The pressure is regulated to 40 psi with the pressure regulator (PR40).
Note: The pressure relief valve will leak if the air pressure is too high. Do not overfill tank with air.
6. For use with manual operation: Pressurize the tank by pumping until it reaches desired pressure, or until air pressure gauge reads 25 psi (1.7 bar).
7. To start foaming, point the wand assembly at the area you wish to foam and squeeze the trigger handle to discharge foam. Release trigger handle to stop foaming.

After Use Instructions:

1. Disconnect the airline from the air fitting (AP25). Release air pressure from unit after each use by activating the pressure relief valve.
2. Flush the unit with fresh water. It is recommended to always empty out remaining solution and run fresh water through the unit to rinse all parts thoroughly after each use and before storage.

Maintenance Instructions:

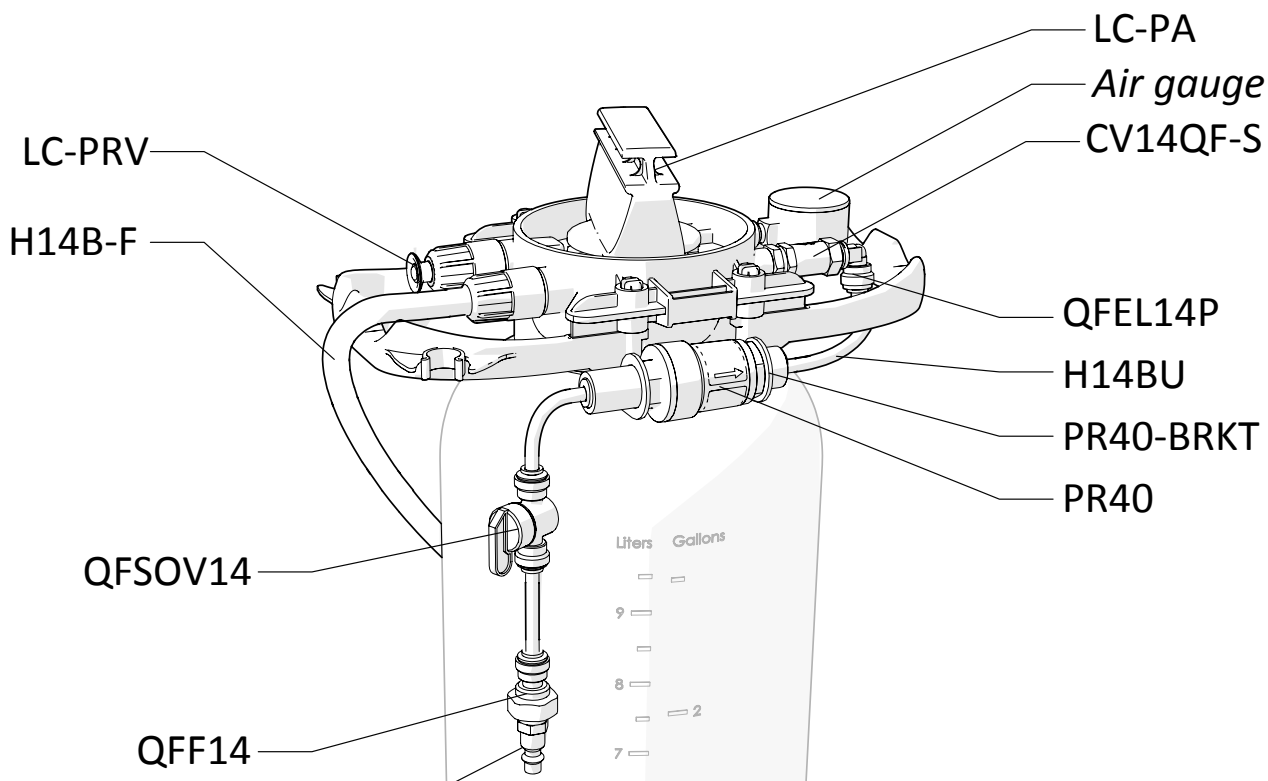
Warning: Always depressurize unit before performing maintenance.

To keep your unit operating properly, periodically perform the following maintenance procedures:

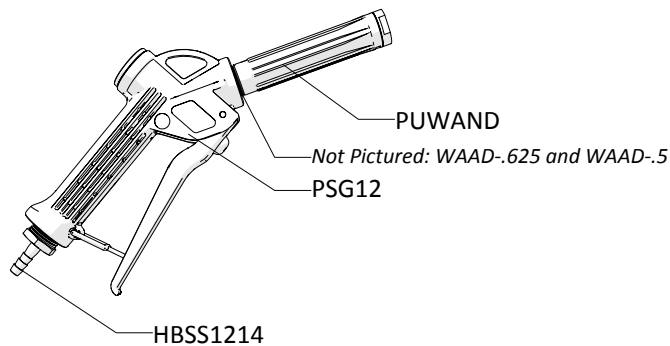
- Check the pump assembly (LC-PA) for wear and leaks.
- Check the suction tube and screen for debris and clean as needed.
- Replace wadding (WAAD-.625 and WAAD-.5) inside discharge wand as needed. Replace wadding by following steps below:
 1. Remove the discharge wand (PUWAND) by unthreading it from the trigger gun (PSG12).
 2. Remove the wadding (WAAD-.625) inside the discharge wand and discard. Also remove the wadding (WAAD-.5) from the outlet of the trigger gun.
 3. Insert new wadding inside the discharge wand and trigger gun.
 4. Thread the discharge wand onto the trigger gun.
- If using the manual pump, periodically lubricate the pump seal with a food safe lubricants. To lubricate the pump seal, raise pump handle and apply 5 to 10 drops of food safe lubricant between pump and pump sleeve.
Note: NEVER USE LUBRICANTS SUCH AS WD40.

READ ALL INSTRUCTIONS BEFORE OPERATING EQUIPMENT

AIR DRIVEN ASSEMBLY
ITEM NUMBER: LC-THA-F100

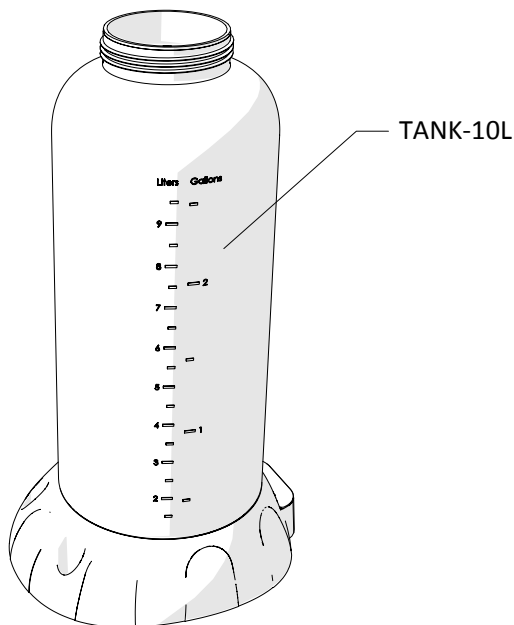


WAND ASSEMBLY
ITEM NUMBERS: PWA-F100



READ ALL INSTRUCTIONS BEFORE OPERATING EQUIPMENT

TANK
ITEM NUMBER: TANK-10L



ITEM NUMBER	DESCRIPTION
LC-THA-F100	AIR DRIVEN ASSEMBLY FOR F100
AP25	AIR FITTING 1/4 MPT X PLUG-BRASS
CV14QF-S	1/4 TUBE X 1/4 TUBE CHK QUICK FIT-SMALL
EC14-2	OETIKER CLAMP 13.8
H14B-F	1/4 INCH BLUE HOSE-HYBRID TPE-Available per ft.
H14BU	1/4in OD BLUE POLYURETHANE TUBING - Available per ft.
HBSS1214	STAINLESS HOSE BARB 1/2 MPT X 1/4 BARB
LC-PA	MANUAL PUMP ASSEMBLY FOR 5L/10L-VITON
LC-PRV	PRESSURE RELIEF VALVE FOR 5L/10L
PR40	PRESSURE REDUCING VALVE-40PSI
PR40-BRKT	BRACKET FOR PR40
PSG12	1/2 IN POLY SPRAY GUN W/ GRAY HANDLE & 316SS
<i>PSGORV</i>	PSG12 O RING-VITON
PUWAND	PUMP UP FOAMER WAND
QFEL14P	FIXED ELBOW 1/4in TUBE X 1/4in MPT - POLYPROPYLENE
QFF14	FEMALE ADAPTER 1/4in TUBE X 1/4in NPTF POLYPROPYLENE
QFSOV14	SHUT OFF VALVE 1/4in TUBE - POLYPROPYLENE
S1012112	10-12 X 1-1/2 SCREW
WAAD-.5	WADDING FOR PUMP-UP FOAMER-1/2 IN DIA.
WAAD-.625	WADDING FOR PUMP-UP FOAMER-.625 IN DIA.